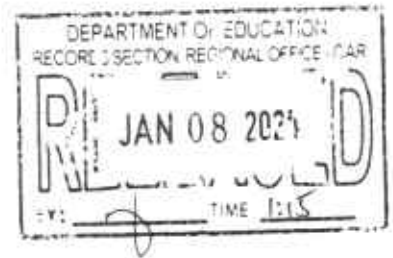




Republic of the Philippines  
**Department of Education**  
Cordillera Administrative Region  
Wangal, La Trinidad, Benguet



05 January 2024

**REGIONAL MEMORANDUM**  
**No. 011.2024**

**DOOR TO DOOR DELIVERY OF SCHOOL FURNITURE FOR ELEMENTARY,  
SECONDARY SCHOOLS UNDER THE BASIC EDUCATIONAL FACILITIES  
FUND (BEFF) SCHOOL FURNITURE PROGRAM CY 2022**

To: Assistant Regional Director  
Schools Division Superintendents  
Division Supply Officers  
Division Engineers  
Public Elementary and Secondary School Heads  
All Others Concerned

1. The CY 2022 BEFF School Furniture Program 75% Allocation for Regular Suppliers has been downloaded and procured by this office. The list of recipient schools and furniture items, including the furniture design and specifications was identified by the Central Office in the Memorandum released on July 25, 2023.
2. The supplier has started delivering school furniture to selected schools as of December 2023. Attached to this memo is the list of recipient schools and furniture items to be delivered under the 2022 BEFF School Furniture Program and Furniture Design and Specifications for reference of the schools' inspectorate.
3. For any clarifications or queries, contact the Education Facilities Section (EFS) with email address: [car.essd@deped.gov.ph](mailto:car.essd@deped.gov.ph).

  
**ESTELA P. LEON-CARIÑO EdD, CESO III**  
Director IV, Regional Director

Encl.: As stated

ESSD/GCD/mmg



Address: DepEd-CAR Complex, Wangal, La Trinidad, Benguet, 2601

Telephone No: (074) 422 – 1318

Email Address: [car@deped.gov.ph](mailto:car@deped.gov.ph)



DepEd Tayo Cordillera



<https://depedcar.ph>

Enclosure 1 to RM 011.2024

REPUBLIC OF THE PHILIPPINES

DEPARTMENT OF EDUCATION

CY 2022 BASIC EDUCATIONAL FACILITIES FUND

PROVISION OF SCHOOL FURNITURE - 75% Allocation for Regular Supplier

**LIST OF RECIPIENT SCHOOLS FOR SCHOOL FURNITURE PROGRAM (CY 2022, CY 2023 & CY 2022-SAVINGS)**

Division	School Name	Municipality	No. of Sites	Elem. Individual Learner Table & Chair Set	JHS Individual Learner Table & Chair Set	SHS Individual Learner Table & Chair Set	Teacher's Table & Chair Set	Working Table & Stool Set
Abra	Willy Castillo PS	LAGANGILANG	1	225	-	-	5	
Abra	Taping Primary School	LAGANGILANG	1	225	-	-	5	
Abra	Cayapa NHS	LAGANGILANG	1	-	225	-	5	
Abra	Pulot National High School	LAGAYAN	1	-	225	-	5	
Abra	Ba-i Integrated School	LAGAYAN	1	-	-	200	5	
Abra	Langiden CS	LANGIDEN	1	199	-	-	5	
Abra	Mabungtot ES	LANGIDEN	1	225	-	-	5	
Abra	Malapaao ES	LANGIDEN	1	225	-	-	5	
Abra	Bonglo Elementary School	LICUAN-BAAY (LICUAN)	1	225	-	-	5	
Abra	Bulbulala PS	LICUAN-BAAY (LICUAN)	1	225	-	-	5	

REPUBLIC OF THE PHILIPPINES

DEPARTMENT OF EDUCATION

CY 2022 BASIC EDUCATIONAL FACILITIES FUND

PROVISION OF SCHOOL FURNITURE - 75% Allocation for Regular Supplier

**LIST OF RECIPIENT SCHOOLS FOR SCHOOL FURNITURE PROGRAM (CY 2022, CY 2023 & CY 2022-SAVINGS)**

Division	School Name	Municipality	No. of Sites	Elem. Individual Learner Table & Chair Set	JHS Individual Learner Table & Chair Set	SHS Individual Learner Table & Chair Set	Teacher's Table & Chair Set	Working Table & Stool Set
Abra	Caoyan PS	LICUAN-BAAY (LICUAN)	1	225	-	-	5	
Abra	Diangay PS	LICUAN-BAAY (LICUAN)	1	225	-	-	5	
Abra	Kileng PS	LICUAN-BAAY (LICUAN)	1	225	-	-	5	
Abra	Lenneng ES	LICUAN-BAAY (LICUAN)	1	225	-	-	5	
Abra	Nalbuan ES	LICUAN-BAAY (LICUAN)	1	225	-	-	5	
Abra	Subagan PS	LICUAN-BAAY (LICUAN)	1	225	-	-	5	
Abra	Sucao ES	LICUAN-BAAY (LICUAN)	1	225	-	-	5	
Abra	Agat Primary School	LICUAN-BAAY (LICUAN)	1	225	-	-	5	
Abra	Baay National High School	LICUAN-BAAY (LICUAN)	1	-	225	-	5	
Abra	LICUAN INTEGRATED SCHOOL	LICUAN-BAAY (LICUAN)	1	-	-	200	5	
Abra	Agumanay ES	LUBA	1	225	-	-	5	

## LIST OF RECIPIENT SCHOOLS FOR SCHOOL FURNITURE PROGRAM (CY 2022, CY 2023 &amp; CY 2022-SAVINGS)

Division	School Name	Municipality	No. of Sites	Elem. Individual Learner Table & Chair Set	JHS Individual Learner Table & Chair Set	SHS Individual Learner Table & Chair Set	Teacher's Table & Chair Set	Working Table & Stool Set
Abra	Ampalioc PS	LUBA	1	225	-	-	5	
Abra	Barit ES	LUBA	1	225	-	-	5	
Abra	Botot ES	LUBA	1	225	-	-	5	
Abra	Gayaman ES	LUBA	1	225	-	-	5	
Abra	Lipting PS	LUBA	1	225	-	-	5	
Abra	Luba CS	LUBA	1	225	-	-	5	
Abra	Lul-luno ES	LUBA	1	225	-	-	5	
Abra	TABANGAO IS	LUBA	1	-	-	200	5	
Abra	Bangilo ES	MALIBCONG	1	225	-	-	5	
Abra	Dulao ES	MALIBCONG	1	225	-	-	5	
Abra	Liwang ES	MALIBCONG	1	225	-	-	5	

REPUBLIC OF THE PHILIPPINES

DEPARTMENT OF EDUCATION

CY 2022 BASIC EDUCATIONAL FACILITIES FUND

PROVISION OF SCHOOL FURNITURE - 75% Allocation for Regular Supplier

**LIST OF RECIPIENT SCHOOLS FOR SCHOOL FURNITURE PROGRAM (CY 2022, CY 2023 & CY 2022-SAVINGS)**

Division	School Name	Municipality	No. of Sites	Elem. Individual Learner Table & Chair Set	JHS Individual Learner Table & Chair Set	SHS Individual Learner Table & Chair Set	Teacher's Table & Chair Set	Working Table & Stool Set
Abra	Malibcong CS	MALIBCONG	1	225	-	-	5	
Abra	Mataragan ES	MALIBCONG	1	225	-	-	5	
Abra	Mataragan NAS	MALIBCONG	1	-	225	-	5	
Abra	Catacdegan ES	MANABO	1	225	-	-	5	
Abra	Liagan PS	MANABO	1	225	-	-	5	
Abra	Madago Elementary School	MANABO	1	225	-	-	5	
Abra	Manabo Pilot ES	MANABO	1	225	-	-	5	
Abra	San Jose ES	MANABO	1	225	-	-	5	
Abra	Sapdaan Elementary School	MANABO	1	225	-	-	5	
Abra	Sto. Tomas Barrio School	MANABO	1	225	-	-	5	
Abra	Casagudan PS	MANABO	1	225	-	-	5	

REPUBLIC OF THE PHILIPPINES

DEPARTMENT OF EDUCATION

CY 2022 BASIC EDUCATIONAL FACILITIES FUND

PROVISION OF SCHOOL FURNITURE - 75% Allocation for Regular Supplier

**LIST OF RECIPIENT SCHOOLS FOR SCHOOL FURNITURE PROGRAM (CY 2022, CY 2023 & CY 2022-SAVINGS)**

Division	School Name	Municipality	No. of Sites	Elem. Individual Learner Table & Chair Set	JHS Individual Learner Table & Chair Set	SHS Individual Learner Table & Chair Set	Teacher's Table & Chair Set	Working Table & Stool Set
Abra	Manabo NHS (San Jose Catacdegan NHS)	MANABO	1	-	450	-	10	
Abra	Dumayco Primary School	PEÑARRUBIA	1	225	-	-	5	
Abra	Malamsit Elementary School	PEÑARRUBIA	1	225	-	-	5	
Abra	Sta. Rosa Elementary School	PEÑARRUBIA	1	225	-	-	5	
Abra	Tattawa Primary School	PEÑARRUBIA	1	225	-	-	5	
Abra	Casilagan PS	PIDIGAN	1	225	-	-	5	
Abra	Nagdaingan ES	PIDIGAN	1	225	-	-	5	
Abra	Sulbec PS	PIDIGAN	1	225	-	-	5	
Abra	Pangtud PS	PIDIGAN	1	225	-	-	5	
Abra	Poblacion West PS	PIDIGAN	1	225	-	-	5	
Abra	Banay PS	PIDIGAN	1	225	-	-	5	

REPUBLIC OF THE PHILIPPINES

DEPARTMENT OF EDUCATION

CY 2022 BASIC EDUCATIONAL FACILITIES FUND

PROVISION OF SCHOOL FURNITURE - 75% Allocation for Regular Supplier

**LIST OF RECIPIENT SCHOOLS FOR SCHOOL FURNITURE PROGRAM (CY 2022, CY 2023 & CY 2022-SAVINGS)**

Division	School Name	Municipality	No. of Sites	Elem. Individual Learner Table & Chair Set	JHS Individual Learner Table & Chair Set	SHS Individual Learner Table & Chair Set	Teacher's Table & Chair Set	Working Table & Stool Set
Abra	Suyo National High School	PIDIGAN	1	-	360	-	8	
Abra	Bolbolo ES	PILAR	1	225	-	-	5	
Abra	Dalit ES	PILAR	1	225	-	-	5	
Abra	Dintan ES	PILAR	1	225	-	-	5	
Abra	Bolbolo NHS	PILAR	1	-	225	-	5	
Abra	Dalit National High School	PILAR	1	-	225	-	5	
Abra	Pilar Rural High School	PILAR	1	-	225	-	5	
Abra	Abas ES	SALLAPADAN	1	225	-	-	5	
Abra	Bantay Primary School	SALLAPADAN	1	225	-	-	5	
Abra	Bazar ES	SALLAPADAN	1	225	-	-	5	
Abra	Bilabila ES	SALLAPADAN	1	225	-	-	5	

REPUBLIC OF THE PHILIPPINES

DEPARTMENT OF EDUCATION

CY 2022 BASIC EDUCATIONAL FACILITIES FUND

PROVISION OF SCHOOL FURNITURE - 75% Allocation for Regular Supplier

**LIST OF RECIPIENT SCHOOLS FOR SCHOOL FURNITURE PROGRAM (CY 2022, CY 2023 & CY 2022-SAVINGS)**

Division	School Name	Municipality	No. of Sites	Elem. Individual Learner Table & Chair Set	JHS Individual Learner Table & Chair Set	SHS Individual Learner Table & Chair Set	Teacher's Table & Chair Set	Working Table & Stool Set
Abra	Callaban PS	SALLAPADAN	1	225	-	-	5	
Abra	Gangal Elementary School	SALLAPADAN	1	225	-	-	5	
Abra	Lam-aoan PS	SALLAPADAN	1	225	-	-	5	
Abra	Naguilian ES	SALLAPADAN	1	225	-	-	5	
Abra	Nangas-Asan PS	SALLAPADAN	1	225	-	-	5	
Abra	Sallapadan Bo. ES	SALLAPADAN	1	225	-	-	5	
Abra	Sal-lapadan CS	SALLAPADAN	1	225	-	-	5	
Abra	Ud-udiao ES	SALLAPADAN	1	225	-	-	5	
Abra	Abas NHS	SALLAPADAN	1	-	225	-	5	
Abra	Maguyepyep Integrated School	SALLAPADAN	1	-	-	200	5	
Abra	Dalimag ES	SAN ISIDRO	1	225	-	-	5	



REPUBLIC OF THE PHILIPPINES

DEPARTMENT OF EDUCATION

CY 2022 BASIC EDUCATIONAL FACILITIES FUND

PROVISION OF SCHOOL FURNITURE - 75% Allocation for Regular Supplier

**LIST OF RECIPIENT SCHOOLS FOR SCHOOL FURNITURE PROGRAM (CY 2022, CY 2023 & CY 2022-SAVINGS)**

Division	School Name	Municipality	No. of Sites	Elem. Individual Learner Table & Chair Set	JHS Individual Learner Table & Chair Set	SHS Individual Learner Table & Chair Set	Teacher's Table & Chair Set	Working Table & Stool Set
Abra	Manayday ES	SAN ISIDRO	1	225	-	-	5	
Abra	Maoay PS	SAN ISIDRO	1	225	-	-	5	
Abra	Olo ES	SAN ISIDRO	1	225	-	-	5	
Abra	San Isidro NHS	SAN ISIDRO	1	-	225	-	5	
Abra	Alimosgan ES	SAN JUAN	1	225	-	-	5	
Abra	Baug PS	SAN JUAN	1	225	-	-	5	
Abra	Cabcaburao ES	SAN JUAN	1	225	-	-	5	
Abra	Daoidao ES	SAN JUAN	1	225	-	-	5	
Abra	Lam-Ag ES	SAN JUAN	1	225	-	-	5	
Abra	Nangobongan PS	SAN JUAN	1	225	-	-	5	
Abra	Quidaoen ES	SAN JUAN	1	225	-	-	5	

REPUBLIC OF THE PHILIPPINES

DEPARTMENT OF EDUCATION

CY 2022 BASIC EDUCATIONAL FACILITIES FUND

PROVISION OF SCHOOL FURNITURE - 75% Allocation for Regular Supplier

**LIST OF RECIPIENT SCHOOLS FOR SCHOOL FURNITURE PROGRAM (CY 2022, CY 2023 & CY 2022-SAVINGS)**

Division	School Name	Municipality	No. of Sites	Elem. Individual Learner Table & Chair Set	JHS Individual Learner Table & Chair Set	SHS Individual Learner Table & Chair Set	Teacher's Table & Chair Set	Working Table & Stool Set
Abra	Silet ES	SAN JUAN	1	225	-	-	5	
Abra	Supil ES	SAN JUAN	1	225	-	-	5	
Abra	Northern Abra NHS	SAN JUAN	1	-	225	-	5	
Abra	Quidaoen NHS	SAN JUAN	1	-	225	-	5	
Abra	Bagalay Elementary School	TAYUM	1	225	-	-	5	
Abra	Basbasa ES	TAYUM	1	225	-	-	5	
Abra	Bumagcat ES	TAYUM	1	225	-	-	5	
Abra	Don Marcos Rosales ES	TAYUM	1	225	-	-	5	
Abra	Velasco ES	TAYUM	1	225	-	-	5	
Abra	Gaddani NHS	TAYUM	1	-	225	-	5	
Abra	Ananaao Integrated School	TAYUM	1	-	-	120	3	

REPUBLIC OF THE PHILIPPINES

DEPARTMENT OF EDUCATION

CY 2022 BASIC EDUCATIONAL FACILITIES FUND

PROVISION OF SCHOOL FURNITURE - 75% Allocation for Regular Supplier

**LIST OF RECIPIENT SCHOOLS FOR SCHOOL FURNITURE PROGRAM (CY 2022, CY 2023 & CY 2022-SAVINGS)**

Division	School Name	Municipality	No. of Sites	Elem. Individual Learner Table & Chair Set	JHS Individual Learner Table & Chair Set	SHS Individual Learner Table & Chair Set	Teacher's Table & Chair Set	Working Table & Stool Set
Abra	Alangtin Elementary School	TUBO	1	225	-	-	5	
Abra	Amtuagan ES	TUBO	1	225	-	-	5	
Abra	Batayan PS	TUBO	1	225	-	-	5	
Abra	Caocaoayan PS	TUBO	1	225	-	-	5	
Abra	Tabo CS	TUBO	1	225	-	-	5	
Abra	Tubtuba ES	TUBO	1	225	-	-	5	
Abra	Wayangan ES	TUBO	1	225	-	-	5	
Abra	Dilong National High School	TUBO	1	-	225	-	5	
Abra	Supo NHS	TUBO	1	-	225	-	5	
Abra	Tiempo NHS	TUBO	1	-	225	-	5	
Abra	LUMABA INTEGRATED SCHOOL	VILLAVICIOSA	1	-	-	240	6	

REPUBLIC OF THE PHILIPPINES

DEPARTMENT OF EDUCATION

CY 2022 BASIC EDUCATIONAL FACILITIES FUND

PROVISION OF SCHOOL FURNITURE - 75% Allocation for Regular Supplier

**LIST OF RECIPIENT SCHOOLS FOR SCHOOL FURNITURE PROGRAM (CY 2022, CY 2023 & CY 2022-SAVINGS)**

Division	School Name	Municipality	No. of Sites	Elem. Individual Learner Table & Chair Set	JHS Individual Learner Table & Chair Set	SHS Individual Learner Table & Chair Set	Teacher's Table & Chair Set	Working Table & Stool Set
Apayao	Magabta ES	KABUGAO	1	50			1	
Apayao	Laco ES	KABUGAO	1	40			1	
Apayao	Banan ES	KABUGAO	1	50			1	
Apayao	Karagawan ES	KABUGAO	1	45			1	
Apayao	Tabba ES	KABUGAO	1	80			2	
Apayao	Banban ES	CONNER	1	120			3	
Apayao	Malayugan IS	FLORA	1		46		1	
Apayao	Caglayan ES	CONNER	1	46			1	
Apayao	Allangigan IS	CONNER	1		40		1	
Apayao	Karikitan IS	CONNER	1		40		1	

REPUBLIC OF THE PHILIPPINES

DEPARTMENT OF EDUCATION

CY 2022 BASIC EDUCATIONAL FACILITIES FUND

PROVISION OF SCHOOL FURNITURE - 75% Allocation for Regular Supplier.

**LIST OF RECIPIENT SCHOOLS FOR SCHOOL FURNITURE PROGRAM (CY 2022, CY 2023 & CY 2022-SAVINGS)**

Division	School Name	Municipality	No. of Sites	Elem. Individual Learner Table & Chair Set	JHS Individual Learner Table & Chair Set	SHS Individual Learner Table & Chair Set	Teacher's Table & Chair Set	Working Table & Stool Set
Apayao	Katablangan IS	CONNER	1		40		1	
Apayao	Malama IS	CONNER	1		50		1	
Apayao	Luyon Elementary School	LUNA	1	90			2	
Apayao	Sta. Lina Elementary School	LUNA	1	90			2	
Apayao	San Jose Integrated School	FLORA	1		90		2	
Apayao	Atok Elementary School	FLORA	1	90			2	
Apayao	Ayayao Elementary School	CALANASAN	1	180			6	
Apayao	Talifugo Elementary School	CONNER	1	135			3	

REPUBLIC OF THE PHILIPPINES

DEPARTMENT OF EDUCATION

CY 2022 BASIC EDUCATIONAL FACILITIES FUND

PROVISION OF SCHOOL FURNITURE - 75% Allocation for Regular Supplier

**LIST OF RECIPIENT SCHOOLS FOR SCHOOL FURNITURE PROGRAM (CY 2022, CY 2023 & CY 2022-SAVINGS)**

Division	School Name	Municipality	No. of Sites	Elem. Individual Learner Table & Chair Set	JHS Individual Learner Table & Chair Set	SHS Individual Learner Table & Chair Set	Teacher's Table & Chair Set	Working Table & Stool Set
Apayao	Panay Elementary School	STA. MARCELA	1	90			2	
Apayao	Magabta ES	KABUGAO	1	85			2	
Apayao	Malayugan IS	FLORA	1		34		1	
Apayao	Karikitan IS	CONNER	1		10		1	
Baguio City	Baguio City National High School	Baguio City	1		1000	1500	63	
Baguio City	Lucban ES	Baguio City	1	270			6	
Baguio City	Baguio Central School	Baguio City	1	360			8	
Benguet	Tawang Elementary School	La Trinidad	1	225			5	

REPUBLIC OF THE PHILIPPINES

DEPARTMENT OF EDUCATION

CY 2022 BASIC EDUCATIONAL FACILITIES FUND

PROVISION OF SCHOOL FURNITURE - 75% Allocation for Regular Supplier

**LIST OF RECIPIENT SCHOOLS FOR SCHOOL FURNITURE PROGRAM (CY 2022, CY 2023 & CY 2022-SAVINGS)**

Division	School Name	Municipality	No. of Sites	Elem. Individual Learner Table & Chair Set	JHS Individual Learner Table & Chair Set	SHS Individual Learner Table & Chair Set	Teacher's Table & Chair Set	Working Table & Stool Set
Benguet	Gaswiling IS	Kapangan	1	135			3	
Benguet	Topdac ES	Atok	1	135			3	
Benguet	Bokod CS	Bokod	1	135			3	
Benguet	La Trinidad NHS	La Trinidad	1		270		6	
Benguet	Cordillera Regional Science High School	La Trinidad	1		270		6	
Benguet	Kapangan Central School	Kapangan	1	270			6	
Benguet	Kabayan Central School	Kabayan	1	270			6	
Benguet	Tublay Central School	Tublay	1	135			3	

REPUBLIC OF THE PHILIPPINES

DEPARTMENT OF EDUCATION

CY 2022 BASIC EDUCATIONAL FACILITIES FUND

PROVISION OF SCHOOL FURNITURE - 75% Allocation for Regular Supplier

**LIST OF RECIPIENT SCHOOLS FOR SCHOOL FURNITURE PROGRAM (CY 2022, CY 2023 & CY 2022-SAVINGS)**

Division	School Name	Municipality	No. of Sites	Elem. Individual Learner Table & Chair Set	JHS Individual Learner Table & Chair Set	SHS Individual Learner Table & Chair Set	Teacher's Table & Chair Set	Working Table & Stool Set
Benguet	Taba-ao IS	Kapangan	1	200	180		8	
Benguet	Gadang ES	Kapangan	1		135		3	
Benguet	Ambuklao ES	Bokod	1	95			2	
Benguet	Benguet National High School	La TRINIDAD	1		1726	2332	95	
Benguet	La Trinidad Central School	La TRINIDAD	1	990			22	
Benguet	Bineng ES	La TRINIDAD	1	180			4	
Benguet	Bineng NHS	La TRINIDAD	1		191		5	
Benguet	Balili ES	La TRINIDAD	1	282			7	



REPUBLIC OF THE PHILIPPINES

DEPARTMENT OF EDUCATION

CY 2022 BASIC EDUCATIONAL FACILITIES FUND

PROVISION OF SCHOOL FURNITURE - 75% Allocation for Regular Supplier

**LIST OF RECIPIENT SCHOOLS FOR SCHOOL FURNITURE PROGRAM (CY 2022, CY 2023 & CY 2022-SAVINGS)**

Division	School Name	Municipality	No. of Sites	Elem. Individual Learner Table & Chair Set	JHS Individual Learner Table & Chair Set	SHS Individual Learner Table & Chair Set	Teacher's Table & Chair Set	Working Table & Stool Set
Benguet	Omas Ampaguey ES	SABLAN	1	225	-	-	5	
Benguet	Bayabas ES	SABLAN	1	225	-	-	5	
Benguet	Ebbes ES	SABLAN	1	225	-	-	5	
Benguet	Jose Gonzales ES	SABLAN	1	225	-	-	5	
Benguet	Yabyabuan MG School	SABLAN	1	135	-	-	3	
Benguet	Amsalsal PS	SABLAN	1	225	-	-	5	
Benguet	Sablan NHS	SABLAN	1	-	135	-	3	
Benguet	Sablan NHS Extension-Balluay	SABLAN	1	-	225	-	5	

REPUBLIC OF THE PHILIPPINES

DEPARTMENT OF EDUCATION

CY 2022 BASIC EDUCATIONAL FACILITIES FUND

PROVISION OF SCHOOL FURNITURE - 75% Allocation for Regular Supplier

**LIST OF RECIPIENT SCHOOLS FOR SCHOOL FURNITURE PROGRAM (CY 2022, CY 2023 & CY 2022-SAVINGS)**

Division	School Name	Municipality	No. of Sites	Elem. Individual Learner Table & Chair Set	JHS Individual Learner Table & Chair Set	SHS Individual Learner Table & Chair Set	Teacher's Table & Chair Set	Working Table & Stool Set
Benguet	Baayan ES	TUBLAY	1	225	-	-	5	
Benguet	Balangabang ES	TUBLAY	1	225	-	-	5	
Benguet	Langbis PS	TUBLAY	1	225	-	-	5	
Benguet	Dorencio ES	TUBLAY	1	225	-	-	5	
Benguet	Mamuyod ES	TUBLAY	1	225	-	-	5	
Benguet	Moran ES	TUBLAY	1	225	-	-	5	
Benguet	Pangablan Elementary School	TUBLAY	1	225	-	-	5	
Benguet	Ciriaco Magno ES	TUBLAY	1	225	-	-	5	

## LIST OF RECIPIENT SCHOOLS FOR SCHOOL FURNITURE PROGRAM (CY 2022, CY 2023 &amp; CY 2022-SAVINGS)

Division	School Name	Municipality	No. of Sites	Elem. Individual Learner Table & Chair Set	JHS Individual Learner Table & Chair Set	SHS Individual Learner Table & Chair Set	Teacher's Table & Chair Set	Working Table & Stool Set
Ifugao	Bukig Elementary School	ASIPULO	1	180	-	-	4	
Ifugao	Duli Elementary School	ASIPULO	1	270	-	-	6	
Ifugao	Nanlahyan PS	ASIPULO	1	225	-	-	5	
Ifugao	Pula ES	ASIPULO	1	225	-	-	5	
Ifugao	Pulpog PS	ASIPULO	1	225	-	-	5	
Ifugao	Cawayan PS - Annex (Alehwagon)	ASIPULO	1	225	-	-	5	
Ifugao	Asipulo CS - Annex	ASIPULO	1	225	-	-	5	
Ifugao	Duli ES Extension	ASIPULO	1	225	-	-	5	

## LIST OF RECIPIENT SCHOOLS FOR SCHOOL FURNITURE PROGRAM (CY 2022, CY 2023 &amp; CY 2022-SAVINGS)

Division	School Name	Municipality	No. of Sites	Elem. Individual Learner Table & Chair Set	JHS Individual Learner Table & Chair Set	SHS Individual Learner Table & Chair Set	Teacher's Table & Chair Set	Working Table & Stool Set
Ifugao	Natcak NHS	ASIPULO	1	-	180	-	4	
Ifugao	Camandag NHS	ASIPULO	1	-	225	-	5	
Ifugao	Anao ES	HINGYON	1	225	-	-	5	
Ifugao	Bitu ES	HINGYON	1	225	-	-	5	
Ifugao	Cababuyan ES	HINGYON	1	225	-	-	5	
Ifugao	Humalophop ES	HINGYON	1	225	-	-	5	
Ifugao	Kayang PS	HINGYON	1	225	-	-	5	
Ifugao	Ubuag PS	HINGYON	1	225	-	-	5	

REPUBLIC OF THE PHILIPPINES

DEPARTMENT OF EDUCATION

CY 2022 BASIC EDUCATIONAL FACILITIES FUND

PROVISION OF SCHOOL FURNITURE - 75% Allocation for Regular Supplier

**LIST OF RECIPIENT SCHOOLS FOR SCHOOL FURNITURE PROGRAM (CY 2022, CY 2023 & CY 2022-SAVINGS)**

Division	School Name	Municipality	No. of Sites	Elem. Individual Learner Table & Chair Set	JHS Individual Learner Table & Chair Set	SHS Individual Learner Table & Chair Set	Teacher's Table & Chair Set	Working Table & Stool Set
Ifugao	Umalbong ES	HINGYON	1	225	-	-	5	
Ifugao	Northern Cababuyan Elementary School - Annex	HINGYON	1	225	-	-	5	
Ifugao	SHS within Namulditan ES	HINGYON	1	-	135	-	3	
Kalinga	Batong Buhay Elementary School	PASIL	1	270	-	-	6	
Kalinga	Balinciagao Elementary School	PASIL	1	225	-	-	5	
Kalinga	Colayo Elementary School	PASIL	1	225	-	-	5	
Kalinga	Dalupa Elementary School	PASIL	1	225	-	-	5	
Kalinga	Dangtalan Elementary School	PASIL	1	225	-	-	5	
Kalinga	Galdang Elementary School	PASIL	1	225	-	-	5	

REPUBLIC OF THE PHILIPPINES

DEPARTMENT OF EDUCATION

CY 2022 BASIC EDUCATIONAL FACILITIES FUND

PROVISION OF SCHOOL FURNITURE - 75% Allocation for Regular Supplier

**LIST OF RECIPIENT SCHOOLS FOR SCHOOL FURNITURE PROGRAM (CY 2022, CY 2023 & CY 2022-SAVINGS)**

Division	School Name	Municipality	No. of Sites	Elem. Individual Learner Table & Chair Set	JHS Individual Learner Table & Chair Set	SHS Individual Learner Table & Chair Set	Teacher's Table & Chair Set	Working Table & Stool Set
Kalinga	Magsilay Elementary School	PASIL	1	225	-	-	5	
Kalinga	Pasil Central School	PASIL	1	225	-	-	5	
Kalinga	Pasil CS (Guinaang Annex )	PASIL	1	225	-	-	5	
Kalinga	Pasil CS (Malucsad Annex)	PASIL	1	225	-	-	5	
Kalinga	Pasil CS ( Pugong Annex)	PASIL	1	225	-	-	5	
Kalinga	Balinciagao ES - Limood Annex	PASIL	1	225	-	-	5	
Kalinga	Batong Buhay National High School	PASIL	1	-	270	-	6	
Kalinga	Bagtayan ES	PASIL	1	80			2	
Kalinga	Buscalan ES	TINGLAYAN	1	135			3	
Kalinga	Ambato -Legleg ES	TINGLAYAN	1	90			2	

REPUBLIC OF THE PHILIPPINES

DEPARTMENT OF EDUCATION

CY 2022 BASIC EDUCATIONAL FACILITIES FUND

PROVISION OF SCHOOL FURNITURE - 75% Allocation for Regular Supplier

**LIST OF RECIPIENT SCHOOLS FOR SCHOOL FURNITURE PROGRAM (CY 2022, CY 2023 & CY 2022-SAVINGS)**

Division	School Name	Municipality	No. of Sites	Elem. Individual Learner Table & Chair Set	JHS Individual Learner Table & Chair Set	SHS Individual Learner Table & Chair Set	Teacher's Table & Chair Set	Working Table & Stool Set
Kalinga	Limos ES	PINUKPUK	1	109			2	
Kalinga	Balbalan ES	BALBALAN	1	90			2	
Kalinga	Balbalan CS	BALBALAN	1	180			4	
Kalinga	Pantikian ES	BALBALAN	1	90			2	
Kalinga	Bullalayao PS	BALBALAN	1	40			1	
Kalinga	Balbalasang ES	BALBALAN	1	67			2	
Kalinga	Saltan PS	BALBALAN	1	37			1	
Mt. Province	Latang Elementary School	BARLIG	1	225	-	-	5	
Mt. Province	Lias Elementary School	BARLIG	1	225	-	-	5	
Mt. Province	Lingoy Primary School	BARLIG	1	225	-	-	5	

REPUBLIC OF THE PHILIPPINES

DEPARTMENT OF EDUCATION

CY 2022 BASIC EDUCATIONAL FACILITIES FUND

PROVISION OF SCHOOL FURNITURE - 75% Allocation for Regular Supplier.

**LIST OF RECIPIENT SCHOOLS FOR SCHOOL FURNITURE PROGRAM (CY 2022, CY 2023 & CY 2022-SAVINGS)**

Division	School Name	Municipality	No. of Sites	Elem. Individual Learner Table & Chair Set	JHS Individual Learner Table & Chair Set	SHS Individual Learner Table & Chair Set	Teacher's Table & Chair Set	Working Table & Stool Set
Mt. Province	Lingoy-Chatol Elementary School	BARLIG	1	225	-	-	5	
Mt. Province	Lunas Primary School	BARLIG	1	225	-	-	5	
Mt. Province	Mog-ao Primary School	BARLIG	1	225	-	-	5	
Mt. Province	Ogo-og Elementary School	BARLIG	1	225	-	-	5	
Mt. Province	Lias National High School	BARLIG	1	-	225	-	5	
Mt. Province	Eastern Bontoc National Agricultural Vocational High School	BARLIG	1	-	90	-	2	
Mt. Province	Bunga Elementary School	BESAO	1	225	-	-	5	
Mt. Province	Catengan Elementary School	BESAO	1	225	-	-	5	
Mt. Province	Gueday Elementary School	BESAO	1	225	-	-	5	
Mt. Province	Lacmaan Primary School	BESAO	1	225	-	-	5	



REPUBLIC OF THE PHILIPPINES

DEPARTMENT OF EDUCATION

CY 2022 BASIC EDUCATIONAL FACILITIES FUND

PROVISION OF SCHOOL FURNITURE - 75% Allocation for Regular Supplier

**LIST OF RECIPIENT SCHOOLS FOR SCHOOL FURNITURE PROGRAM (CY 2022, CY 2023 & CY 2022-SAVINGS)**

Division	School Name	Municipality	No. of Sites	Elem. Individual Learner Table & Chair Set	JHS Individual Learner Table & Chair Set	SHS Individual Learner Table & Chair Set	Teacher's Table & Chair Set	Working Table & Stool Set
Mt. Province	Masameyeo Primary School	BESAO	1	225	-	-	5	
Mt. Province	Panabungen Elementary School	BESAO	1	225	-	-	5	
Mt. Province	Pangweo Elementary School	BESAO	1	225	-	-	5	
Mt. Province	Payeo Elementary School	BESAO	1	225	-	-	5	
Mt. Province	Suquib Primary School	BESAO	1	225	-	-	5	
Mt. Province	Agawa National High School	BESAO	1	-	180	-	4	
Mt. Province	Data Elementary School	SABANGAN	1	225	-	-	5	
Mt. Province	Gayang Elementary School	SABANGAN	1	225	-	-	5	
Mt. Province	Labbay Primary School	SABANGAN	1	225	-	-	5	
Mt. Province	Legleg Primary School	SABANGAN	1	90	-	-	2	

REPUBLIC OF THE PHILIPPINES

DEPARTMENT OF EDUCATION

CY 2022 BASIC EDUCATIONAL FACILITIES FUND

PROVISION OF SCHOOL FURNITURE - 75% Allocation for Regular Supplier

**LIST OF RECIPIENT SCHOOLS FOR SCHOOL FURNITURE PROGRAM (CY 2022, CY 2023 & CY 2022-SAVINGS)**

Division	School Name	Municipality	No. of Sites	Elem. Individual Learner Table & Chair Set	JHS Individual Learner Table & Chair Set	SHS Individual Learner Table & Chair Set	Teacher's Table & Chair Set	Working Table & Stool Set
Mt. Province	Madepdeppas Elementary School	SABANGAN	1	225	-	-	5	
Mt. Province	Napua Elementary School	SABANGAN	1	225	-	-	5	
Mt. Province	Camatagan Elementary School	SABANGAN	1	225	-	-	5	
Mt. Province	Pingad-Bao-angan Elementary School	SABANGAN	1	225	-	-	5	
Mt. Province	Supang Elementary School	SABANGAN	1	225	-	-	5	
Mt. Province	Tambingan Elementary School	SABANGAN	1	225	-	-	5	
Mt. Province	Namatec National High School	SABANGAN	1	-	225	-	5	
Mt. Province	Data National High School	SABANGAN	1	-	135	-	3	
Mt. Province	Anabel Elementary School	SADANGA	1	225	-	-	5	
Mt. Province	Bekigan Elementary School	SADANGA	1	225	-	-	5	

REPUBLIC OF THE PHILIPPINES

DEPARTMENT OF EDUCATION

CY 2022 BASIC EDUCATIONAL FACILITIES FUND

PROVISION OF SCHOOL FURNITURE - 75% Allocation for Regular Supplier

**LIST OF RECIPIENT SCHOOLS FOR SCHOOL FURNITURE PROGRAM (CY 2022, CY 2023 & CY 2022-SAVINGS)**

Division	School Name	Municipality	No. of Sites	Elem. Individual Learner Table & Chair Set	JHS Individual Learner Table & Chair Set	SHS Individual Learner Table & Chair Set	Teacher's Table & Chair Set	Working Table & Stool Set
Mt. Province	Belwang Elementary School	SADANGA	1	225	-	-	5	
Mt. Province	Betwagan Elementary School	SADANGA	1	360	-	-	8	
Mt. Province	Demang Elementary School	SADANGA	1	225	-	-	5	
Mt. Province	Sacasacan Elementary School	SADANGA	1	225	-	-	5	
Mt. Province	Saclit Elementary School	SADANGA	1	225	-	-	5	
Mt. Province	Betwagan National High School	SADANGA	1	-	90	-	2	
Mt. Province	Belwang National High School	SADANGA	1	-	225	-	5	
Mt. Province	Saclit National High School	SADANGA	1	-	90	-	2	
Mt. Province	Aguid Elementary School	SAGADA	1	225	-	-	5	
Mt. Province	Balugan Elementary School	SAGADA	1	225	-	-	5	

## LIST OF RECIPIENT SCHOOLS FOR SCHOOL FURNITURE PROGRAM (CY 2022, CY 2023 &amp; CY 2022-SAVINGS)

Division	School Name	Municipality	No. of Sites	Elem. Individual Learner Table & Chair Set	JHS Individual Learner Table & Chair Set	SHS Individual Learner Table & Chair Set	Teacher's Table & Chair Set	Working Table & Stool Set
Mt. Province	Bangaan Elementary School	SAGADA	1	225	-	-	5	
Mt. Province	Kilong Primary School	SAGADA	1	225	-	-	5	
Mt. Province	Nacagang Primary School	SAGADA	1	225	-	-	5	
Mt. Province	Payag-eo Elementary School	SAGADA	1	225	-	-	5	
Mt. Province	Bangaan National High School	SAGADA	1	-	225	-	5	
Mt. Province	Sagada National High School	SAGADA	1	-	225	-	5	
Mt. Province	Balugan National High School	SAGADA	1	-	225	-	5	
Mt. Province	Bauko CS	Bauko	1	160			4	
Mt. Province	Guinzadan Elementary School	Bauko	1	120			3	
Mt. Province	Guinzadan National High School	Bauko	1		135		3	

REPUBLIC OF THE PHILIPPINES

DEPARTMENT OF EDUCATION

CY 2022 BASIC EDUCATIONAL FACILITIES FUND

PROVISION OF SCHOOL FURNITURE - 75% Allocation for Regular Supplier

**LIST OF RECIPIENT SCHOOLS FOR SCHOOL FURNITURE PROGRAM (CY 2022, CY 2023 & CY 2022-SAVINGS)**

Division	School Name	Municipality	No. of Sites	Elem. Individual Learner Table & Chair Set	JHS Individual Learner Table & Chair Set	SHS Individual Learner Table & Chair Set	Teacher's Table & Chair Set	Working Table & Stool Set
Mt. Province	Mount Data National High School	Bauko	1		135		3	
Mt. Province	Talban P. Bitayan Elementary School	Bauko	1	90			2	
Mt. Province	Besao Central School	Besao	1	135			3	
Mt. Province	Apapawan Elementary School	Natonin	1	90			2	
Mt. Province	Natonin Central School	Natonin	1	225			5	
Mt. Province	Saliok National Technical Vocational and Skills Training High School	Natonin	1			120	3	
Mt. Province	Amolong Elementary School	Paracelis	1	135			3	
Mt. Province	Anonat Elementary School	Paracelis	1	135			3	
Mt. Province	Bacarri Elementary School	Paracelis	1	135			3	
Mt. Province	Cassag Elementary School	Paracelis	1	50			1	

REPUBLIC OF THE PHILIPPINES

DEPARTMENT OF EDUCATION

CY 2022 BASIC EDUCATIONAL FACILITIES FUND

PROVISION OF SCHOOL FURNITURE - 75% Allocation for Regular Supplier

**LIST OF RECIPIENT SCHOOLS FOR SCHOOL FURNITURE PROGRAM (CY 2022, CY 2023 & CY 2022-SAVINGS)**

Division	School Name	Municipality	No. of Sites	Elem. Individual Learner Table & Chair Set	JHS Individual Learner Table & Chair Set	SHS Individual Learner Table & Chair Set	Teacher's Table & Chair Set	Working Table & Stool Set
Mt. Province	Marallag Elementary School	Paracelis	1	45			1	
Mt. Province	Minoli Elementary School	Paracelis	1	180			4	
Mt. Province	Paracelis Central School	Paracelis	1	135			3	
Mt. Province	Serapio Gawan National High School	Paracelis	1	135			3	
Mt. Province	Sabangan Central School	Sabangan	1	360			8	
Mt. Province	Ambasing Elementary School	Sagada	1	180			4	
Mt. Province	Payag-co Elementary School	Sagada	1	45			1	
Mt. Province	Balaoa Elementary School	Tadian	1	90			2	
Mt. Province	Balaoa National High School	Tadian	1			40	1	
Mt. Province	Bantey Elementary School	Tadian	1	90			2	

REPUBLIC OF THE PHILIPPINES

DEPARTMENT OF EDUCATION

CY 2022 BASIC EDUCATIONAL FACILITIES FUND

PROVISION OF SCHOOL FURNITURE - 75% Allocation for Regular Supplier

**LIST OF RECIPIENT SCHOOLS FOR SCHOOL FURNITURE PROGRAM (CY 2022, CY 2023 & CY 2022-SAVINGS)**

Division	School Name	Municipality	No. of Sites	Elem. Individual Learner Table & Chair Set	JHS Individual Learner Table & Chair Set	SHS Individual Learner Table & Chair Set	Teacher's Table & Chair Set	Working Table & Stool Set
Mt. Province	Dacudac Elementary School	Tadian	1	135			3	
Mt. Province	Kayan Elementary School	Tadian	1	135			3	
Mt. Province	New Lubon Elementary School	Tadian	1	135			3	
Tabuk City	Burubor ES	Tabuk City	1	135			3	
Tabuk City	Guilayon IS	Tabuk City	1		120		3	
Tabuk City	Kalinga NHS	Tabuk City	1		460		12	
Tabuk City	Bulo East ES	Tabuk City	1	135			3	
Tabuk City	Lacnog IS	Tabuk City	1		135		3	
Tabuk City	Cataw ES	CITY OF TABUK (Capital)	1	50			2	
Tabuk City	Kalinga NHS	CITY OF TABUK (Capital)			300		7	

REPUBLIC OF THE PHILIPPINES

DEPARTMENT OF EDUCATION

CY 2022 BASIC EDUCATIONAL FACILITIES FUND

PROVISION OF SCHOOL FURNITURE - 75% Allocation for Regular Supplier

**LIST OF RECIPIENT SCHOOLS FOR SCHOOL FURNITURE PROGRAM (CY 2022, CY 2023 & CY 2022-SAVINGS)**

Division	School Name	Municipality	No. of Sites	Elem. Individual Learner Table & Chair Set	JHS Individual Learner Table & Chair Set	SHS Individual Learner Table & Chair Set	Teacher's Table & Chair Set	Working Table & Stool Set
Tabuk City	Bulo NHS	CITY OF TABUK (Capital)			68		1	
Tabuk City	Guilayon IS	CITY OF TABUK (Capital)		85			2	
Tabuk City	Madopdop ES	CITY OF TABUK (Capital)	1	135			3	
Tabuk City	Greenhills ES	CITY OF TABUK (Capital)	1	180			4	
Tabuk City	Bulo West ES	CITY OF TABUK (Capital)	1	135			3	
Tabuk City	Balong CS	CITY OF TABUK (Capital)	1	250			5	
Tabuk City	Callagdao ES	CITY OF TABUK (Capital)	1	120			3	
Tabuk City	Maledda IS	CITY OF TABUK (Capital)	1	112			3	
Tabuk City	Dilag IS	CITY OF TABUK (Capital)	1	302			5	
Tabuk City	Amlao IS	CITY OF TABUK (Capital)	1	90	80		4	



REPUBLIC OF THE PHILIPPINES

DEPARTMENT OF EDUCATION

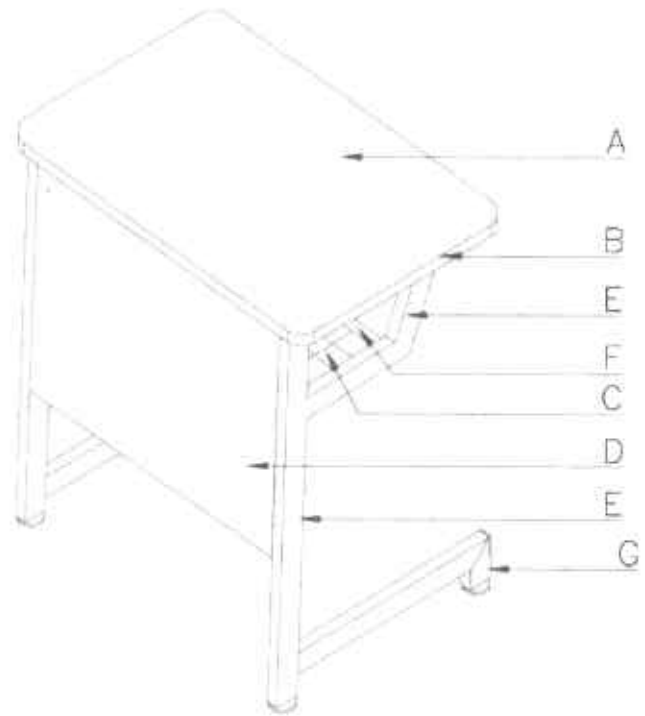
CY 2022 BASIC EDUCATIONAL FACILITIES FUND

PROVISION OF SCHOOL FURNITURE - 75% Allocation for Regular Supplier

**LIST OF RECIPIENT SCHOOLS FOR SCHOOL FURNITURE PROGRAM (CY 2022, CY 2023 & CY 2022-SAVINGS)**

Division	School Name	Municipality	No. of Sites	Elem. Individual Learner Table & Chair Set	JHS Individual Learner Table & Chair Set	SHS Individual Learner Table & Chair Set	Teacher's Table & Chair Set	Working Table & Stool Set
Tabuk City	Lacnog IS	CITY OF TABUK (Capital)	1	235			5	
Tabuk City	Masablang ES	CITY OF TABUK (Capital)	1	151			3	
Tabuk City	Balawag CS	CITY OF TABUK (Capital)	1	96			2	
Tabuk City	Ipil IS	CITY OF TABUK (Capital)	1		104		3	
<b>TOTAL</b>			<b>303</b>	<b>48,446</b>	<b>12,949</b>	<b>5,152</b>	<b>1,503</b>	<b>-</b>

1 TECHNICAL SPECIFICATIONS OF LEARNER'S TABLE		
MARK	COMPONENTS	SPECIFICATIONS
A	TABLE TOP	18MM THK TOP BOARD ROUND CORNER'S (1 SIDE 1.0MM THK HIGH PRESSURE LAMINATE/1 SIDE VARNISH FINISHES ON MARINE PLYWOOD)
B	EDGING	1.0 MM THK PVC EDGING, ALL EDGES OF TABLE TOP
C	SHELF	METAL WIRE MESH 4MMTHKX50X50
D	FRONT COVER	6MM THK FRONT COVER (1 SIDE 1.0MM THK HIGH PRESSURE LAMINATE / 1 SIDE VARNISH FINISHES ON MARINE PLYWOOD)
E	MAIN FRAME	1.0MMTHKX20MMX40MM STEEL TUBULAR
F	SECONDARY FRAME	1.0MMTHKX20MMX20MM STEEL TUBULAR
G	ADJUSTABLE LEVELER	8MMØ THREAD WITH 38MMØ PLASTIC BASE
	CONNECTOR/FLAT BAR	1MMTHKX25MMX50MM STEEL FLAT BAR (TABLE TOP:4PCS:SCREW)
	CONNECTION	WOOD TO STEEL: SCREW: E-TYPE HEX M6X13mm:(TABLE TOP) RIVETS: BLIND RIVET (FRONT COVER)  STEEL TO STEEL: FULL WELDING CONNECTION



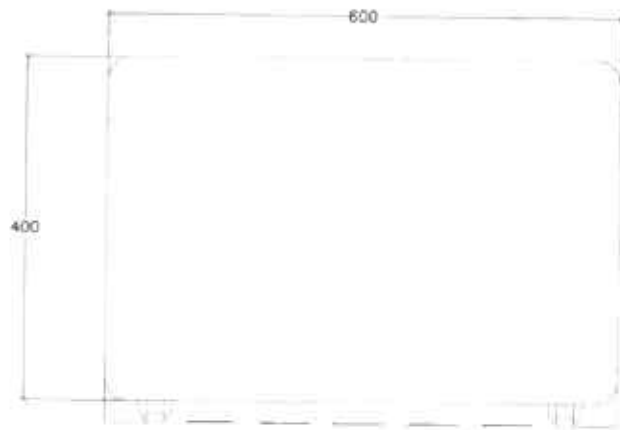
1 ISOMETRIC VIEW OF LEARNER'S TABLE  
1 SCALE

2a SCHEDULE OF FINISHES	
TOP BOARD	1.0MM THK HIGH PRESSURE LAMINATE
EDGING	1.0 MM THK PVC EDGING, ALL EDGES OF TABLE TOP
FRONT COVER	1.0MM THK HIGH PRESSURE LAMINATE
METAL/STEEL TUBULAR	POWDER COATED (BLACK); SMOOTH, GLOSSY FINISH
LAMINATE COLOR	PANTONE 729C OR COLOR HEX #6c7c45 / RGB 186, 124, 69 / CMYK 0%, 33%, 63%, 27% WITH WOOD GRAIN (SERANO BEECH OR EQUIVALENT)

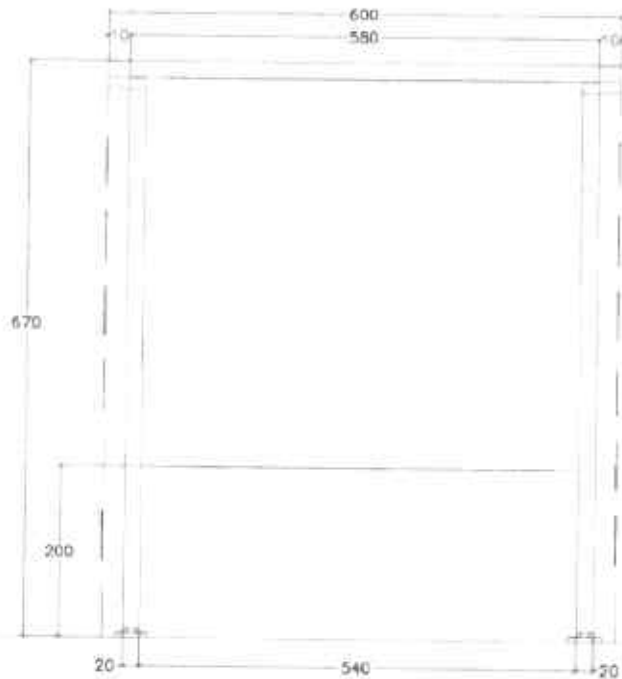
3 DIMENSIONS OF LEARNER'S TABLE(mm) (TOLERANCE ± 10mm)			
MARK	COMPONENTS	DIMENSIONS	
		ELEMENTARY	SECONDARY
a	TABLE HEIGHT	670	730
b	TABLE LENGTH	600	600
c	TABLE WIDTH	400	400

<p>DEPARTMENT OF EDUCATION BUREAU OF TECHNICAL EDUCATION MAGALOGUON DIVISION OFFICE</p>	<p>DESIGNED BY: <i>[Signature]</i> ENGR. MARIELENE MANGAN CDET - CIVIL RESOURCES DIVISION</p>	<p>RECOMMENDING APPROVAL: <i>[Signature]</i> ENGR. MARIELENE MANGAN CDET - CIVIL RESOURCES DIVISION</p>	<p>APPROVED BY: <i>[Signature]</i> ENGR. V. P. PANGILINAN UNIVERSITY OF Science and Technology</p>	<p>CONCURRED BY: <i>[Signature]</i> DINA C. OJEDA Laboratory for Construction Technology</p>	<p>PROJECT TITLE: <b>LEARNER'S TABLE (WOOD &amp; STEEL)</b></p>	<p>SHEET CONTENTS: TECHNICAL SPECIFICATION SCHEDULE OF FINISHES EDGING APPLICATION DIMENSIONS ISOMETRIC VIEW</p>	<p>SHEET NO. 1 3</p>
---	---	---	--	--	---	--	------------------------------

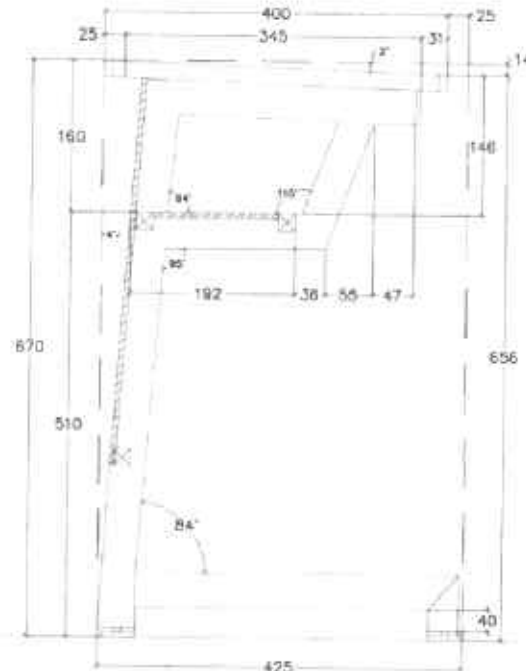
# DEPED ELEMENTARY SINGLE LEARNER'S TABLE



TOP VIEW



FRONT VIEW



SIDE SECTION VIEW



HOOK

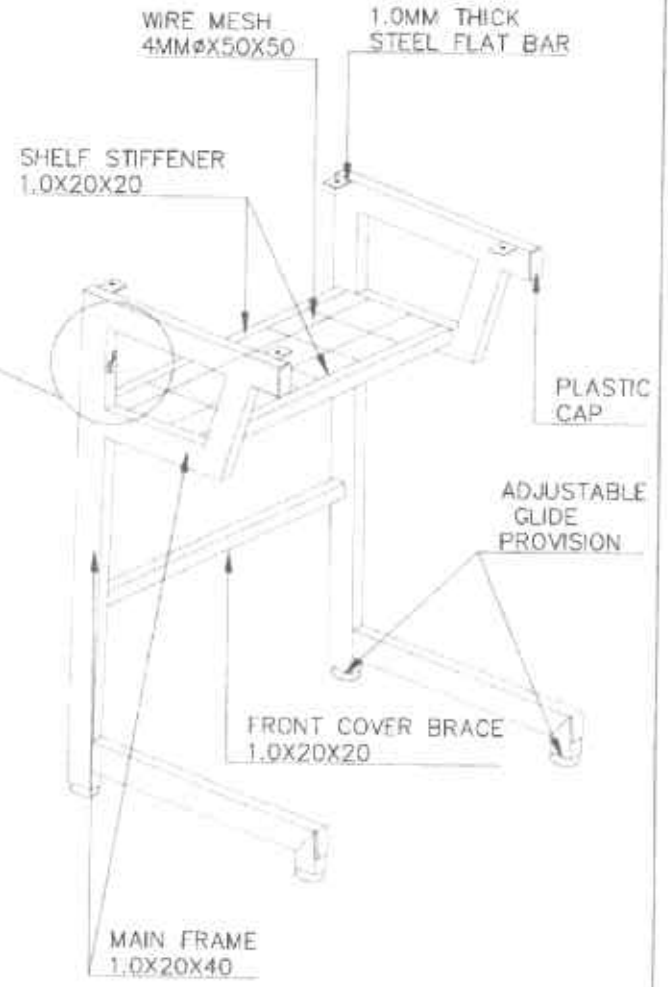
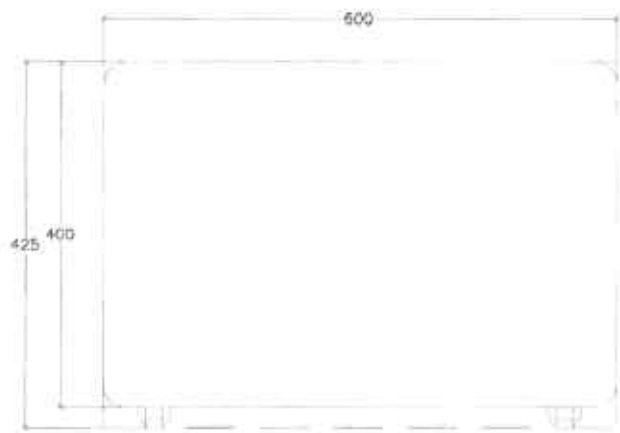


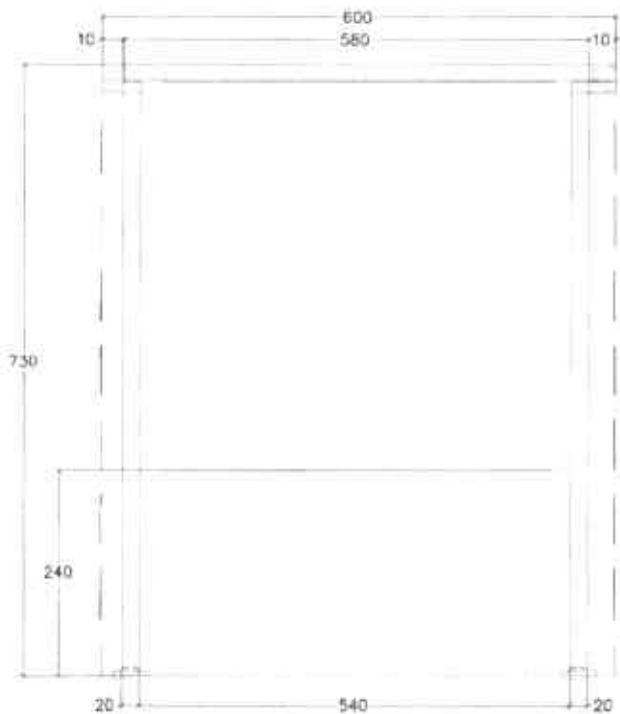
TABLE FRAMING PERSPECTIVE VIEW

<p>DEPARTMENT OF EDUCATION EDUCATION FACILITIES DIVISION MAGALOGAN AVENUE, PASIG CITY</p>	<p>DESIGNED BY: <i>[Signature]</i> ENGR. <i>[Name]</i></p>	<p>RECOMMENDING APPROVAL: <i>[Signature]</i> ENGR. <i>[Name]</i> EDUCATION FACILITIES DIVISION</p>	<p>APPROVED BY: <i>[Signature]</i> ENGR. <i>[Name]</i> EDUCATION FACILITIES DIVISION</p>	<p>CONCURRED BY: <i>[Signature]</i> ENGR. <i>[Name]</i> EDUCATION FACILITIES DIVISION</p>	<p>PROJECT TITLE: <b>LEARNER'S TABLE (WOOD &amp; STEEL)</b></p>	<p>SHEET CONTENTS: TOP VIEW FRONT VIEW SIDE SECTION VIEW FRAMING PERSPECTIVE VIEW</p>	<p>SHEET NO: 2 3</p>
	<p>WORKING TO: School Division Office and Facilities</p>						

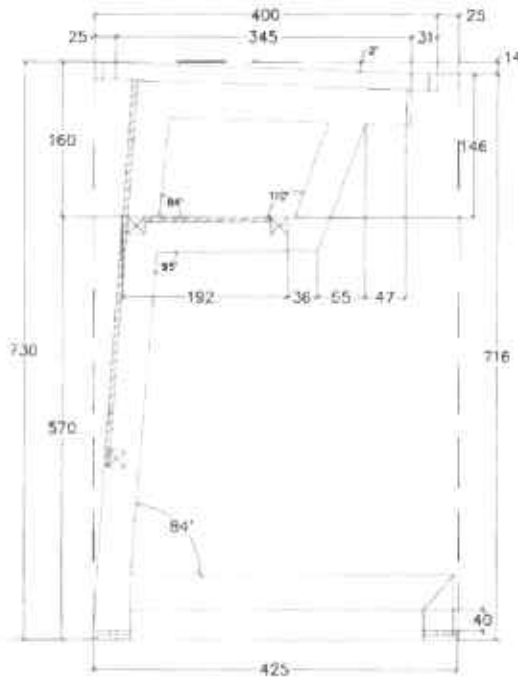
# DEPED SECONDARY SINGLE LEARNER'S TABLE



TOP VIEW



FRONT VIEW



SIDE SECTION VIEW



HOOK

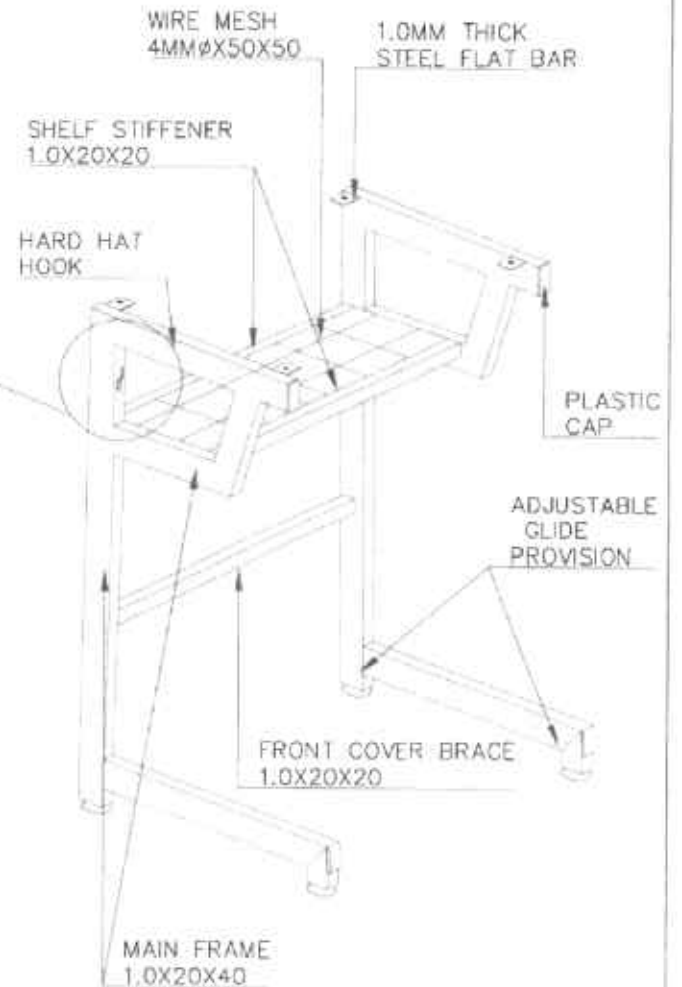
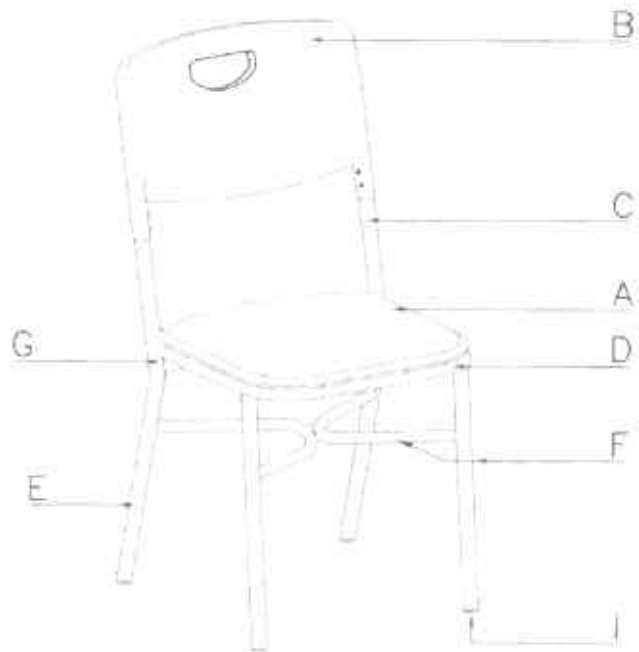


TABLE FRAMING PERSPECTIVE VIEW

<p>DEPARTMENT OF EDUCATION EDUCATION FACILITIES DIVISION MANILA OFFICE, RAJAH MANSUR ST.</p>	<p>DESIGNED BY: <i>[Signature]</i> ARCHITECT</p>	<p>RECOMMENDING APPROVAL: <i>[Signature]</i> ENR - EDUCATION FACILITIES DIVISION DND - EDUCATION FACILITIES DIVISION</p>	<p>APPROVED BY: <i>[Signature]</i> TRINICO V. GOSIANO III Undersecretary for School Infrastructure and Facilities</p>	<p>CONFERRED BY: <i>[Signature]</i> GIA - CONFER</p>	<p>PROJECT TITLE: <b>LEARNER'S TABLE (WOOD &amp; STEEL)</b></p>	<p>SHEET DIMENSIONS: TOP VIEW FRONT VIEW SIDE SECTION VIEW FRAMING PERSPECTIVE VIEW</p>	<p>SHEET NO: 3 3</p>
	<p>DATE: _____</p>						
	<p>SCALE: _____</p>						



1  
1  
ISOMETRIC VIEW OF LEARNER'S CHAIR  
SCALE

DIMENSIONS OF LEARNER'S CHAIR (mm)  
(TOLERANCE ± 10mm)

COMPONENTS	DIMENSIONS	
	ELEMENTARY	SECONDARY
SEAT HEIGHT	390	430
SEAT DEPTH	380	380
SEAT WIDTH	370	370
BACK REST HEIGHT	700	800
BACK REST WIDTH	410	410

1 TECHNICAL SPECIFICATIONS OF LEARNER'S CHAIR		
MARK	COMPONENTS	SPECIFICATIONS
A:	SEAT	BLOW MOLDED PLASTIC HIGH-DENSITY POLYETHYLENE (HDPE)
B	BACKREST	BLOW MOLDED PLASTIC HIGH-DENSITY POLYETHYLENE (HDPE)
C:	BACK SUPPORT	BI PIPE TUBE 1.0MMX22MMØ
D	SEAT SUPPORT	BI PIPE TUBE 1.0MMX19MMØ
E:	BACK LEG	BI PIPE TUBE 1.0MMX22MMØ
F	FRONT LEG/BRACE	BI PIPE TUBE 1.0MMX22MMØ
G	LOWER SEAT SUPPORT	BI PIPE TUBE 1.0MMX19MMØ
I	COVER CAP	PLASTIC GLIDE
	HDPE TO STEEL	BACK HDPE TO STEEL - SELF TAPPING SCREW/RIVET
		SEAT HDPE TO STEEL - 1MM THK 25MMX30MM FLAT BAR, M6X12

SCHEDULE OF FINISHES

SEAT PANEL BACKREST	HIGH-DENSITY POLYETHYLENE (HDPE) PLASTIC (BLOW MOLDED)
METAL/STEEL TUBULAR	POWDER COATED (BLACK); SMOOTH, GLOSSY FINISH
HDPE COLOR	REFER TO COLOR CODE PANTONE 4885C OR COLOR HEX: #cda78b / RGB: 205, 167, 136 / CMYK: 0%, 19%, 34%, 20%



DESIGNED BY

*[Signature]*  
ENGR. MARICEL E. ALARIN  
PROJECT

DESIGNER'S APPROVAL

*[Signature]*  
ENGR. MARICEL E. ALARIN  
DESIGNER'S APPROVAL

APPROVED BY

*[Signature]*  
ENGR. MARICEL E. ALARIN  
APPROVED BY

CONCURRED BY

*[Signature]*  
CONCURRED BY

PROJECT TITLE

LEARNER'S CHAIR  
(HDPE & STEEL)

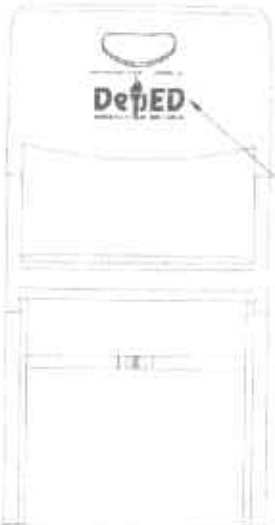
SHEET CONTENTS

TECHNICAL SPECIFICATION  
SCHEDULE OF FINISHES  
EDGING APPLICATION  
DIMENSIONS  
ISOMETRIC VIEW

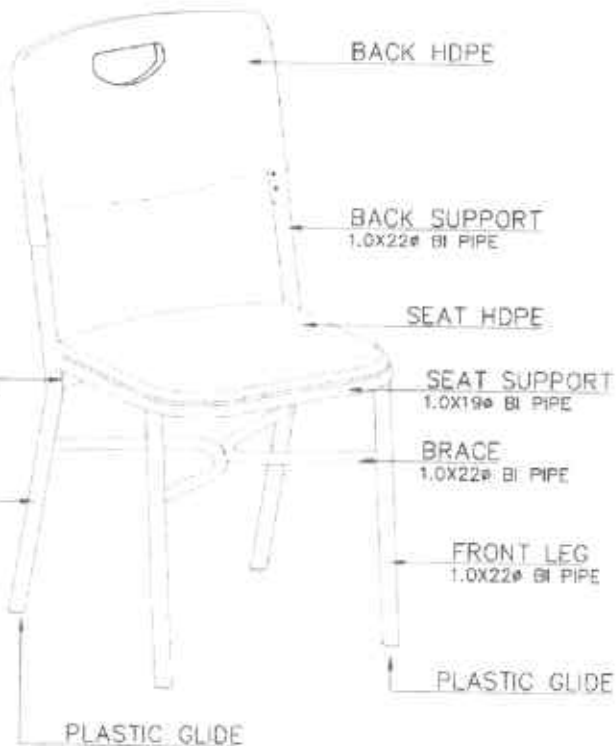
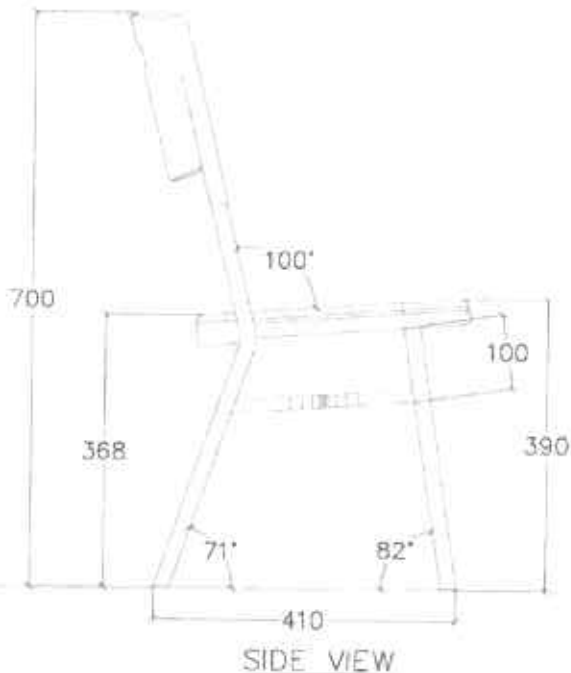
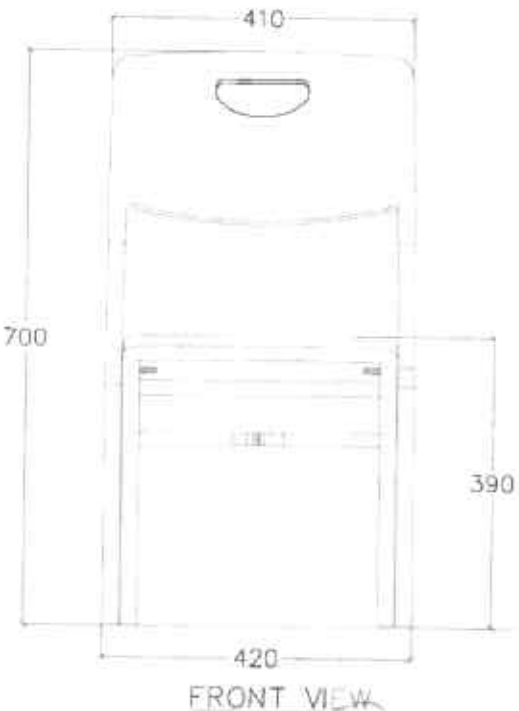
SHEET NO

1  
5

# DEPED ELEMENTARY LEARNER'S CHAIR



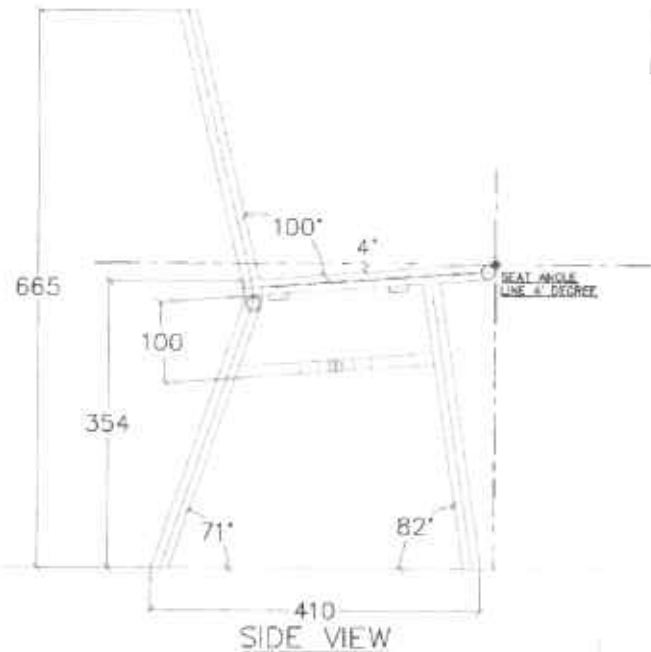
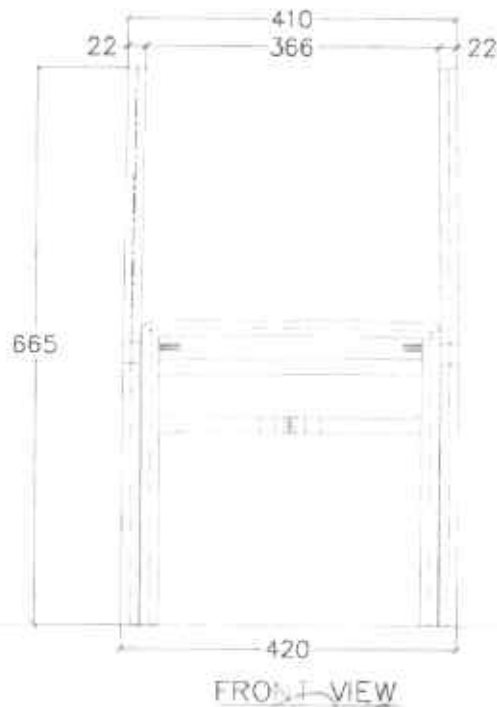
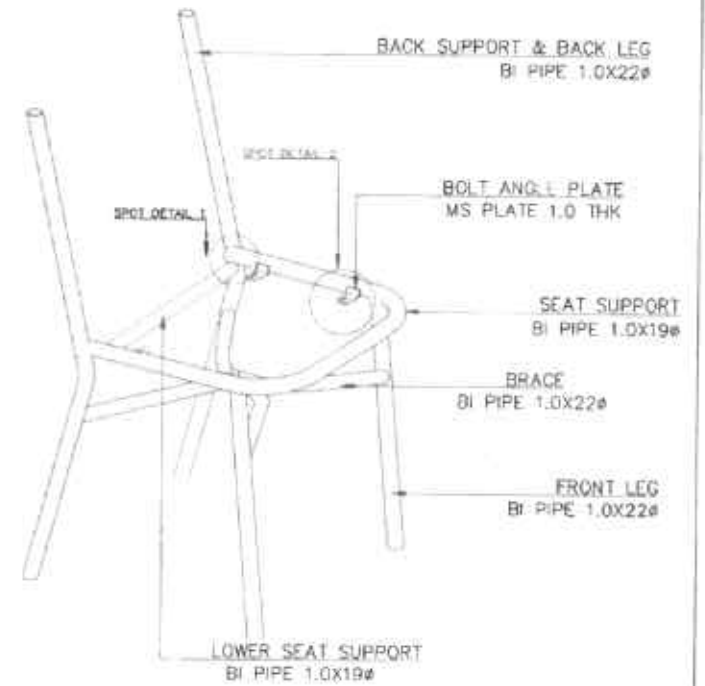
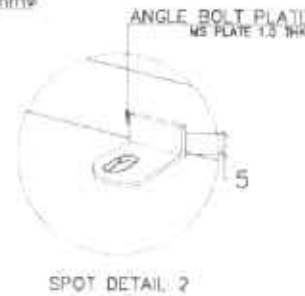
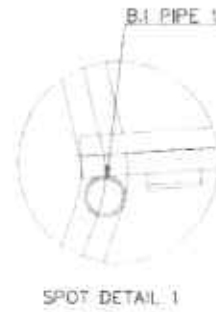
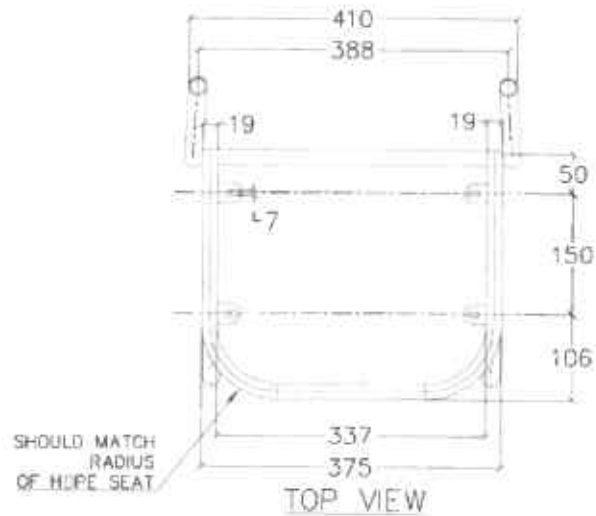
**DEPED LOGO SPECIFICATIONS FOR ALL LEARNER AND TEACHER'S CHAIR**



LEARNER'S CHAIR  
PERSPECTIVE VIEW

<p>REPUBLIC OF THE PHILIPPINES DEPARTMENT OF EDUCATION EDUCATION FACILITIES DIVISION METRO MANILA OFFICE</p>	<p>DESIGNED BY: <i>[Signature]</i> ARCHITECT</p>	<p>RECOMMENDING APPROVAL: <i>[Signature]</i> ENGR. ANNE L. R. ... CHIEF - CIVIL ENGINEERING DIVISION</p>	<p>APPROVED BY: <i>[Signature]</i> ENGR. ... SUPERVISOR FOR SCHOOL INFRASTRUCTURE AND FACILITIES</p>	<p>CHECKED BY: <i>[Signature]</i> ENR. ... SUPERVISOR FOR CONSTRUCTION AND TESTING</p>	<p>PROJECT TITLE: LEARNER'S CHAIR (HOPE &amp; STEEL)</p>	<p>SHEET CONTENTS: ELEMENTARY LEARNER'S CHAIR - PERSPECTIVE VIEW - TOP VIEW - REAR VIEW - FRONT VIEW - SIDE VIEW</p>	<p>SHEET NO: 2 5</p>
	<p>DEPED ELEMENTARY LEARNER'S CHAIR</p>						

# DEPED ELEMENTARY LEARNER'S CHAIR



<p>DEPARTMENT OF EDUCATION DepED Division Office - Marikina City Marikina City, Philippines</p>	<p>DESIGNED BY: <i>[Signature]</i> ENR. MARICEL C. ALABO WORKED</p>	<p>RECOMMENDING APPROVAL: <i>[Signature]</i> ENR. MARICEL C. ALABO OHT - CATCH PHOTOS DESIGN</p>	<p>APPROVED BY: <i>[Signature]</i> ENR. MARICEL C. ALABO Department for School Infrastructure and Facilities</p>	<p>CHECKED BY: <i>[Signature]</i> ENR. G. GONDI Department for Curriculum and Learning</p>	<p>PROJECT TITLE: LEARNER'S CHAIR (HDPE &amp; STEEL)</p>	<p>SHEET CONTENTS: - CHAIR FRAME (TOP/FRONT, SIDE VIEWS) - PERSPECTIVE VIEW - DETAILS</p>	<p>SHEET NO: 3 5</p>

# DEPED SECONDARY LEARNER'S CHAIR



TOP VIEW

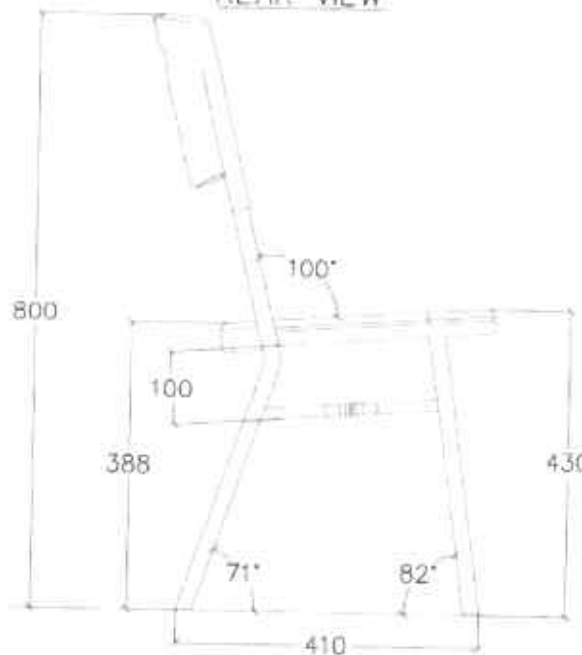


REAR VIEW

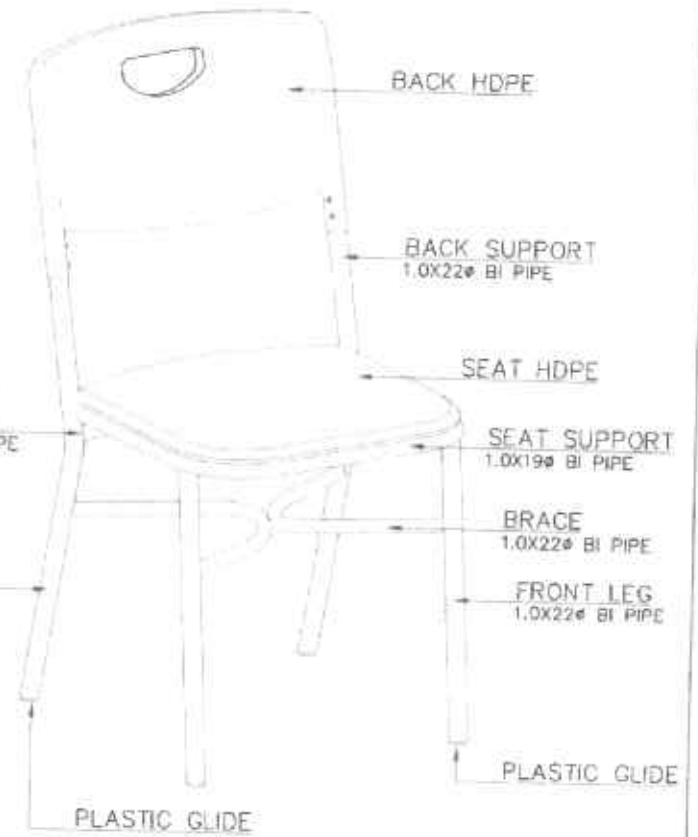
**DEPED LOGO SPECIFICATIONS FOR ALL LEARNER AND TEACHER'S CHAIR**



FRONT VIEW



SIDE VIEW

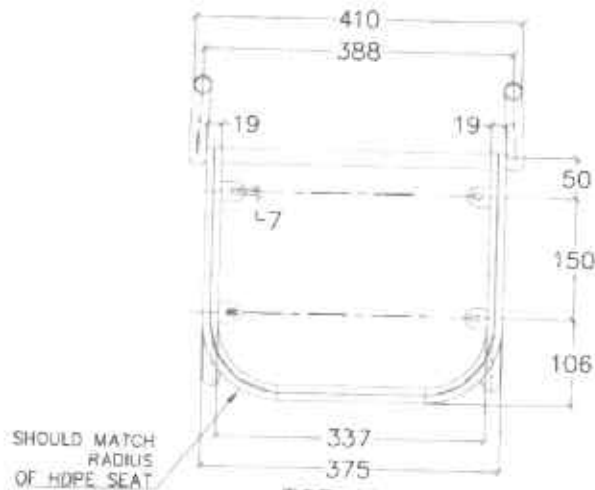


LEARNER'S CHAIR PERSPECTIVE VIEW

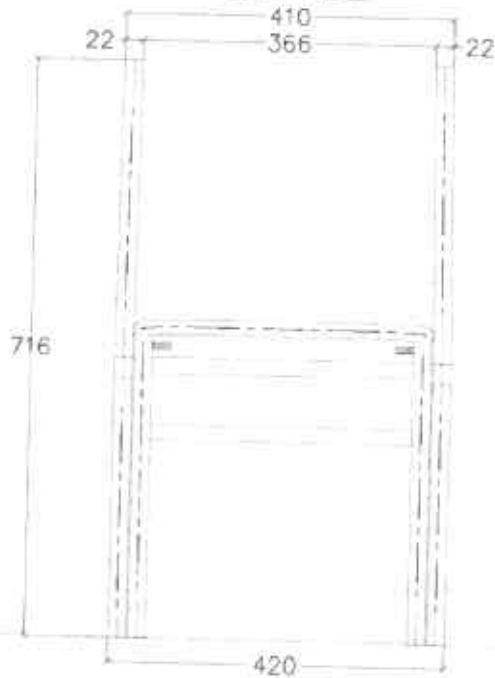
<p>DEPARTMENT OF EDUCATION DIVISION OFFICE - CALABARZON MARICORIN, CALABARZON</p>	<p>DESIGNED BY: <i>[Signature]</i> ARCHITECT</p>	<p>TECHNICAL APPROVAL: <i>[Signature]</i> ENGR. JUAN ALLEN CHIEF - DESIGN FACILITIES DIVISION</p>	<p>APPROVED BY: <i>[Signature]</i> OFFICIAL USE ONLY DEPARTMENT OF EDUCATION</p>	<p>CHECKED BY: <i>[Signature]</i> OFFICIAL USE ONLY DEPARTMENT OF EDUCATION</p>	<p>PROJECT FILE: LEARNER'S CHAIR (HDPE &amp; STEEL)</p>	<p>SHEET OWNERS: SECONDARY LEARNER'S CHAIR: - PERSPECTIVE VIEW - TOP VIEW - REAR VIEW - FRONT VIEW - SIDE VIEW</p>	<p>SHEET NO: 4 5</p>
---	--	---	--	---	---	--	------------------------------



# DEPED SECONDARY LEARNER'S CHAIR



TOP VIEW



FRONT VIEW

LOWER SEAT SUPPORT  
BI PIPE 1.0X19#

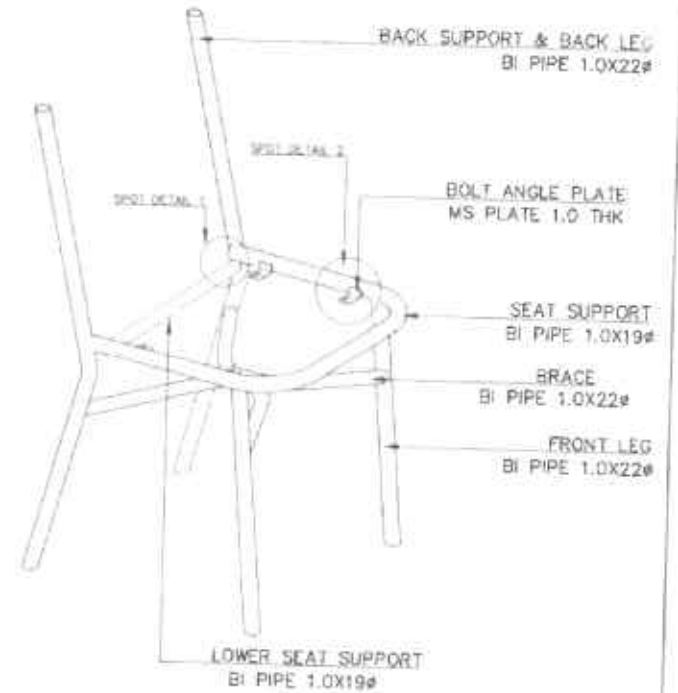


SPOT DETAIL 1

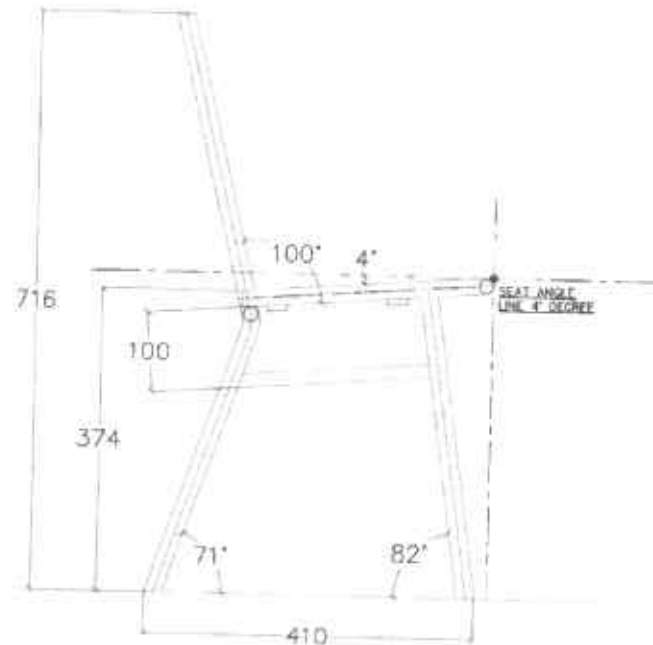
RECTANGULAR  
ANGLE BOLT PLATE  
MS PLATE 1.0 THK



SPOT DETAIL 2



PERSPECTIVE VIEW



SIDE VIEW

<p>REPUBLIC OF THE PHILIPPINES <b>DepED</b> DEPARTMENT OF EDUCATION DIVISION OFFICE - BUTUAN SCHOOL DIVISION OFFICE - BUTUAN</p>	<p>DESIGNED BY <i>[Signature]</i> ENR. MARCEL S. [Name] DSEP - TECHNICAL DIVISION</p>	<p>RECOMMENDING OFFICER <i>[Signature]</i> ENR. [Name] DSEP - TECHNICAL DIVISION</p>	<p>APPROVED BY <i>[Signature]</i> ENR. FRANCIS DENZING JR. University for School Infrastructure and Facilities</p>	<p>DISCUSSED BY <i>[Signature]</i> ENR. O. GORDON University for Construction and Technology</p>	<p>PROJECT TITLE <b>LEARNER'S CHAIR (HDPE &amp; STEEL)</b></p>	<p>SHEET CONTENTS - CHAIR FRAME (TOP/FRONT, SIDE VIEW) - PERSPECTIVE VIEW - DETAILS</p>	<p>SHEET NO. 5 5</p>
	<p>DEPED SECONDARY LEARNER'S CHAIR</p>						

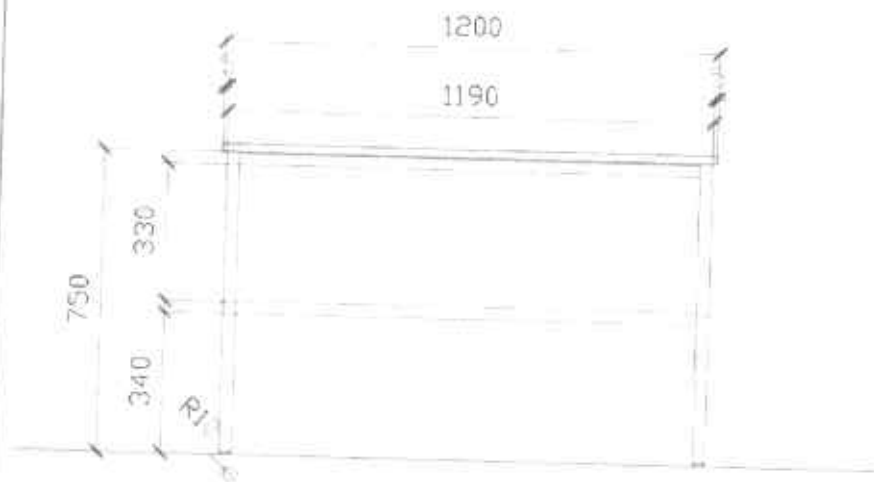




PLAN



PERSPECTIVE



FRONT ELEV.



RIGHT SIDE ELEVATION



SECTION



DESIGNED BY:  
  
 C. ANTONIO A. ANTONIO  
 ARCHT.

RECOMMENDING OFFICER:  
  
 ENGR. ANABELLE  
 CHIEF, DESIGN FACILITIES DIVISION

APPROVED BY:  
  
 UNIVERSITY OF ST. LAZARUS  
 UNIVERSITY OF ST. LAZARUS  
 UNIVERSITY OF ST. LAZARUS

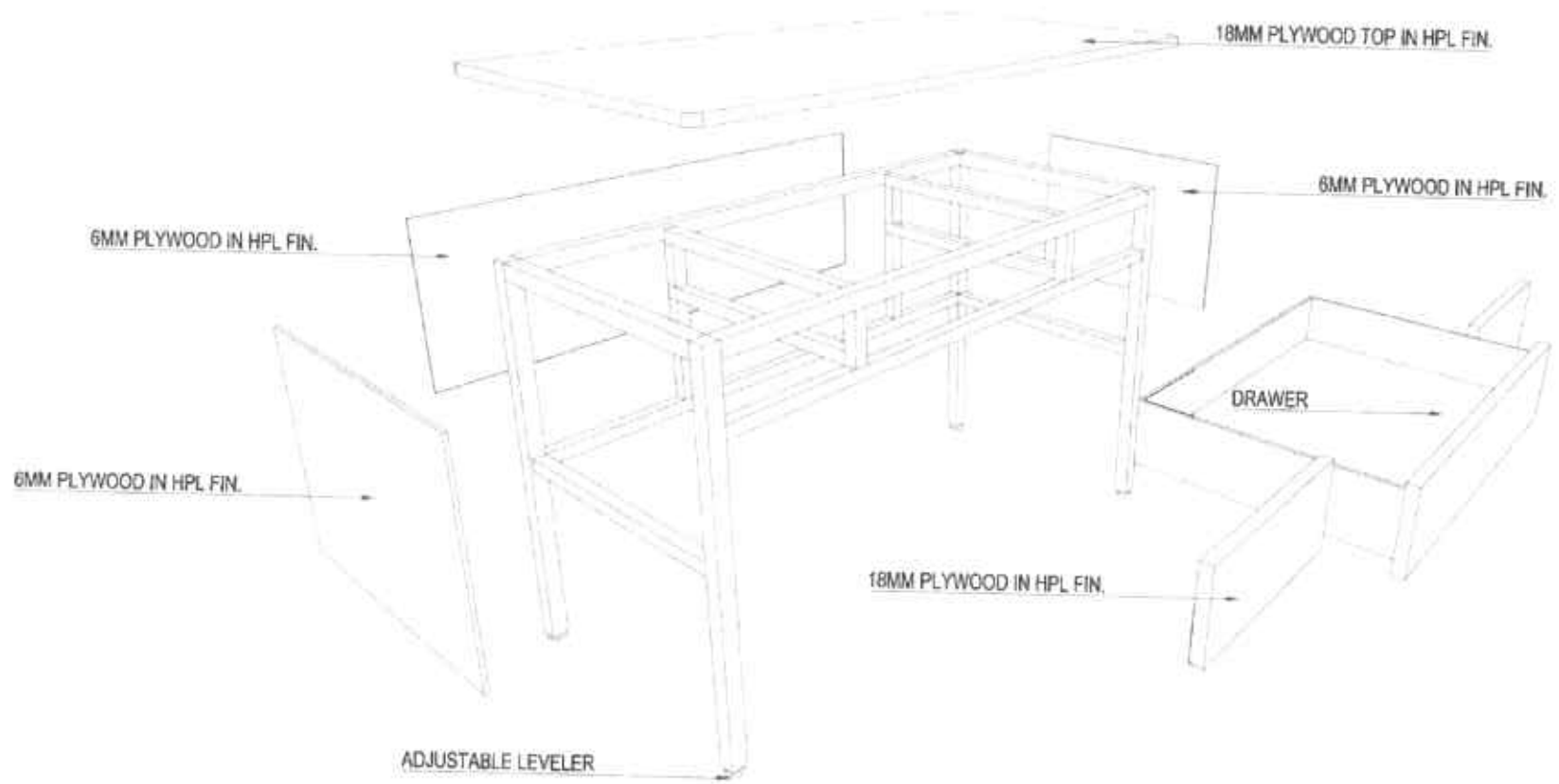
CONCURRED BY:  
  
 GINA D. SIMONG  
 INSTRUMENTAL TO CURRICULUM AND TEACHING

PROJECT TITLE:  
 TEACHER'S TABLE  
 (WOOD & STEEL)

SHEET CONTENTS:  
 PLAN  
 PERSPECTIVE  
 FRONT ELEVATION  
 SECTION

SHEET NO:  
 2  
 5

# TEACHER'S TABLE



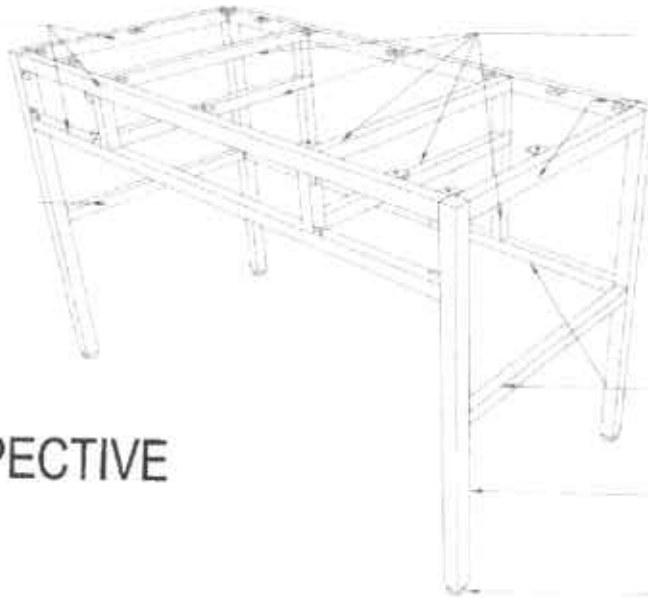
## EXPLODED VIEW

 <p>REPUBLIC OF THE PHILIPPINES <b>DepED</b> DEPARTMENT OF EDUCATION OFFICE OF THE DEPUTY SECRETARIES 100 MALABON STREET, PASAY CITY</p>	<p>DRAWN BY: <i>[Signature]</i> JOSUELO C. LAROSA ARCHITECT</p>	<p>HYDRAULIC APPROVAL: ENGR. <i>[Signature]</i> DND - SAFETY FACILITIES DIVISION</p>	<p>APPROVED BY: <i>[Signature]</i> ENGR. <i>[Signature]</i> Division Office for Social Infrastructure and Facilities</p>	<p>DESIGNED BY: <i>[Signature]</i> GWA O. GONING University of Cebu and Teachers</p>	<p>PROJECT TITLE: TEACHER'S TABLE (WOOD &amp; STEEL)</p>	<p>SHEET CONTENTS: TEACHER'S TABLE EXPLODED VIEW</p>	<p>SHEET NO: 3 5</p>
---	---	--	--	--	--	--	------------------------------

# METAL FRAMING DETAIL

30X30X1MM TUBULAR  
IN BLACK POWDER  
COAT FIN.

30X30X1MM TUBULAR  
IN BLACK POWDER  
COAT FIN.



PERSPECTIVE

30X30X1MM TUBULAR  
IN BLACK POWDER  
COAT FIN.

30X30X1MM TUBULAR  
IN BLACK POWDER  
COAT FIN.

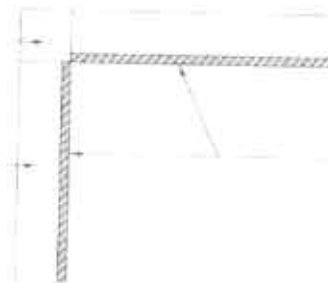
30X30X1MM TUBULAR  
IN BLACK POWDER  
COAT FIN.

30X30X1MM TUBULAR  
POST IN BLACK POWDER  
COAT FIN.

ADJUSTABLE  
GLIDES

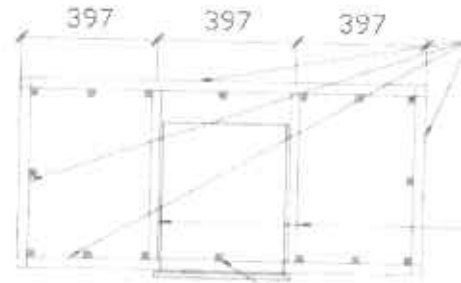
30X30X1MM TUBULAR  
POST IN BLACK POWDER  
COAT FIN.

30X30X1MM TUBULAR  
BRACE IN BLACK POWDER  
COAT FIN.



TOP VIEW SECTION

6MM PLYWOOD IN HPL FIN.



TOP

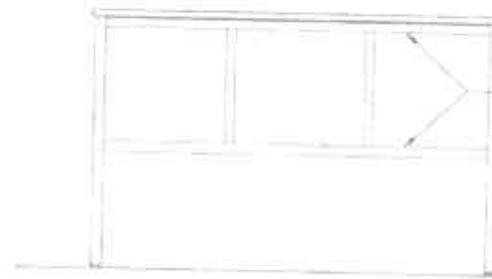
30X30X1MM TUBULAR  
BRACE IN BLACK POWDER  
COAT FIN.

30X30X1MM TUBULAR  
IN BLACK POWDER  
COAT FIN.

25mmX50mmX1MM THK.  
POWDER COATED STEEL  
FLAT BAR

30X30X1MM TUBULAR  
IN BLACK POWDER  
COAT FIN.

30X30X1MM TUBULAR  
POST IN BLACK POWDER  
COAT FIN.



FRONT

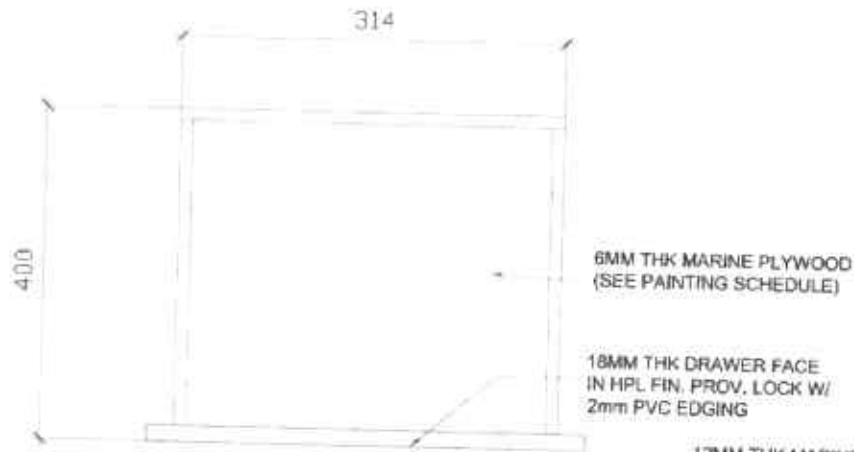
590

SIDE VIEW

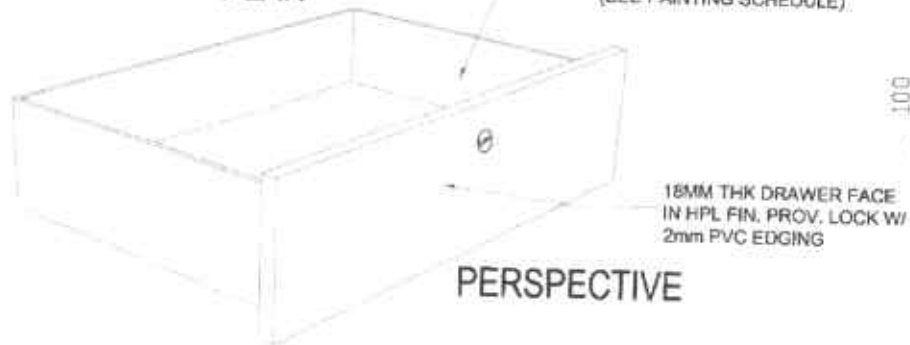
30X30X1MM TUBULAR  
IN BLACK POWDER  
COAT FIN.

30X30X1MM TUBULAR  
POST IN BLACK POWDER  
COAT FIN.

# METAL CENTRAL DRAWER DETAIL



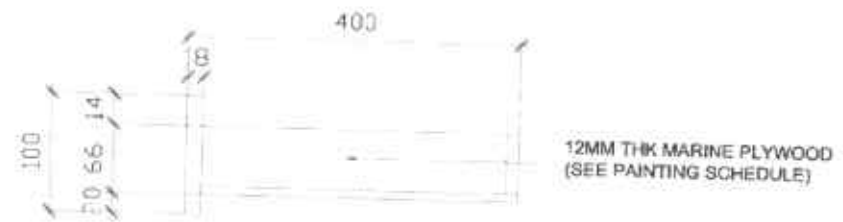
PLAN



PERSPECTIVE



FRONT ELEV.



RIGHT SIDE VIEW

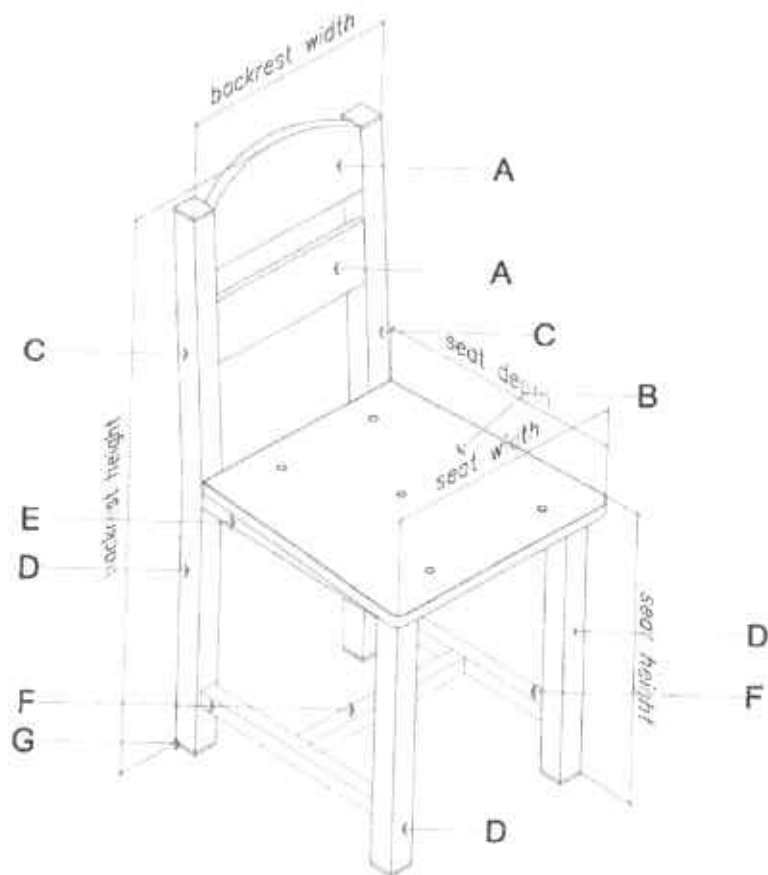


SECTION

## PAINTING SCHEDULE

PAINTING SCHEDULE	
SANDING	ALL SURFACE TO BE COATED SHALL BE SMOOTHLY SANDED
1ST COAT	OIL WOOD STAIN - WHITE OAK FULL COLOR
INTERMEDIATE COAT	LACQUER SANDING SEALER
TOP COAT	CLEAR GLOSS LACQUER (2 COATS)

<p>DEPARTMENT OF EDUCATION DIVISION OFFICE - CAGAYAN DE ORO SCHOOL DIVISION OFFICE - CAGAYAN DE ORO</p>	<p>DESIGNED BY: <i>[Signature]</i> MR. ARMAND T. MARIASO</p>	<p>RECOMMENDING APPROVER: <i>[Signature]</i> ENR. [Name] CDO</p>	<p>APPROVED BY: <i>[Signature]</i> [Name] [Title]</p>	<p>CONCURRED BY: <i>[Signature]</i> [Name] [Title]</p>	<p>PROJECT FILE: TEACHER'S TABLE (WOOD &amp; STEEL)</p>	<p>SHEET CONTENT: METAL DRAWER DETAIL -FRONT ELEVATION -SECTION -EXPLODED VIEW -PERSPECTIVE</p>	<p>SHEET NO: 5 5</p>
	<p>REVISIONS:</p>						



1 ISOMETRIC- TEACHER'S CHAIR  
1 SCALE

NOTES:  
WOOD GLUE SHALL BE APPLIED BEFORE INSERTING E-NUT INTO THE PLYWOOD  
CORNERS OF BACKREST & SEAT PANELS MUST BE ROUNDED

1 TECHNICAL SPECIFICATIONS OF TEACHER'S CHAIR

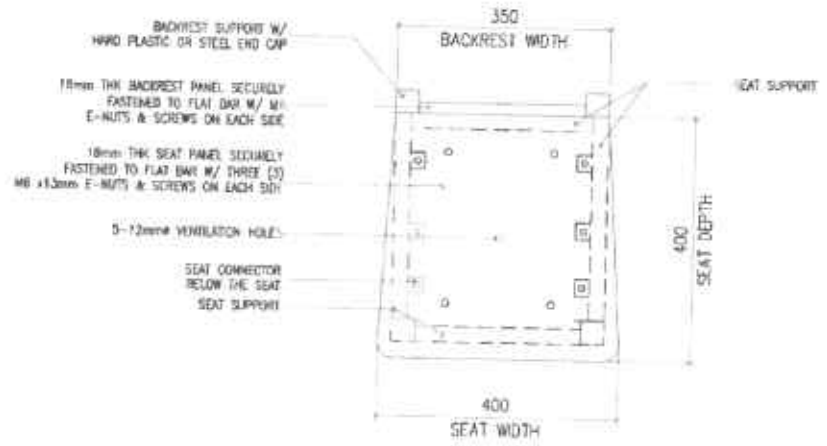
MARK	COMPONENT	SPECIFICATIONS
A	BACKREST	18mm THK BACKREST PANEL (0.9mm THK HIGH PRESSURE LAMINATE ON MARINE PLYWOOD) W/ PVC EDGING
B	SEAT	18mm THK SEAT PANEL (0.9mm THK HIGH PRESSURE LAMINATE ON MARINE PLYWOOD) W/ PVC EDGING & 5 VENT HOLES (12mm#)
C	BACKREST SUPPORT	0.8mm THK x 30mm x 30mm STEEL TUBULAR
D	LEG	0.8mm THK x 30mm x 30mm STEEL TUBULAR
E	SEAT SUPPORT	1mm THK x 30mm x 30mm STEEL TUBULAR
F	LEG BRACE	1mm THK x 30mm x 30mm STEEL TUBULAR
G	FOOTING	HARD PLASTIC (BLACK)
	EDGING	PVC EDGING
	CONNECTION	
	WOOD TO STEEL	1mm THK x 25mm x 75mm FLAT BAR (FOR BACKREST - 1) 1mm THK x 25mm x 50mm FLAT BAR (FOR BACKREST - 2) 7mm THK x 25mm x 50mm FLAT BAR (SEAT) M6 x13mm E-NUT AND SCREW (WOOD INSERT)
	STEEL TO STEEL	FULL WELDING - FOR TUBULAR TO TUBULAR CONNECTIONS; ADEQUATE WELDING - FOR B.L. PIPE TO FLAT BAR CONNECTIONS

2 SCHEDULE OF FINISHES

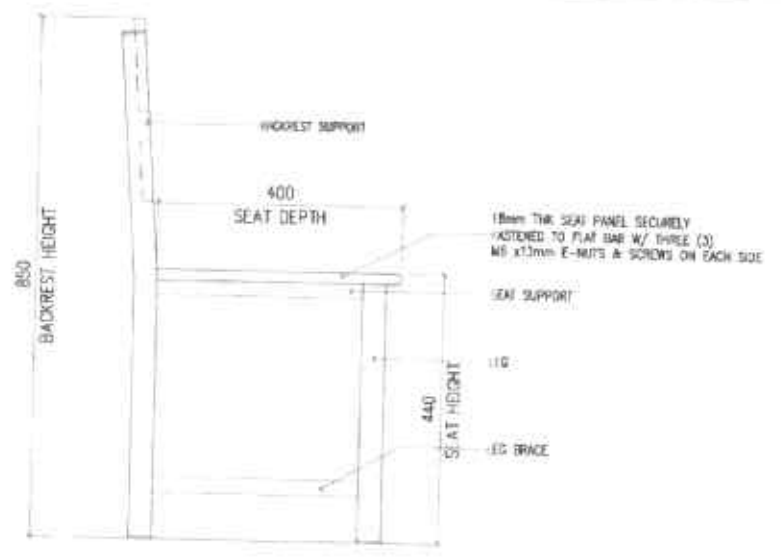
BACKREST & SEAT	HIGH PRESSURE WOOD GRAIN LAMINATE W/ PVC EDGING
METAL / STEEL	POWDER COATED (BLACK); SMOOTH, GLOSSY FINISH
LAMINATE COLOR	SERANO BEECH OR EQUIVALENT

3 DIMENSIONS OF TEACHER'S CHAIR (TOLERANCE OF  $\pm 10$ mm)

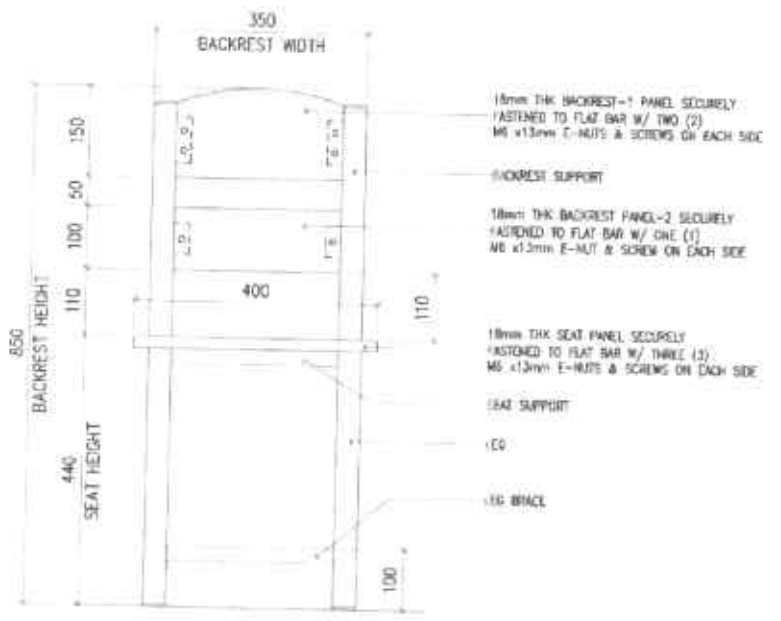
COMPONENT	DIMENSIONS (mm)
SEAT HEIGHT	440
SEAT DEPTH	400
SEAT WIDTH	400
BACKREST HEIGHT	850
BACKREST WIDTH	350



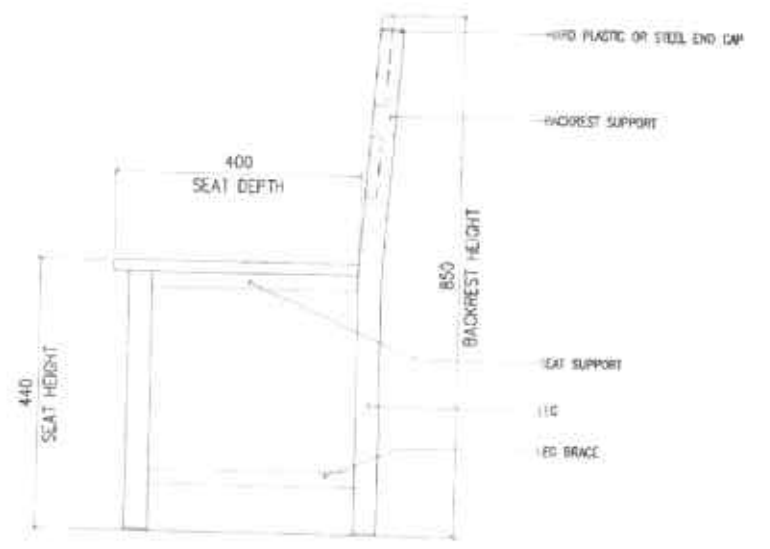
1 PLAN  
2 SCALE 1:50 M



3 LEFT-SIDE ELEVATION  
2 SCALE 1:50 M



2 FRONT ELEVATION  
2 SCALE 1:50 M



4 RIGHT-SIDE ELEVATION  
2 SCALE 1:50 M

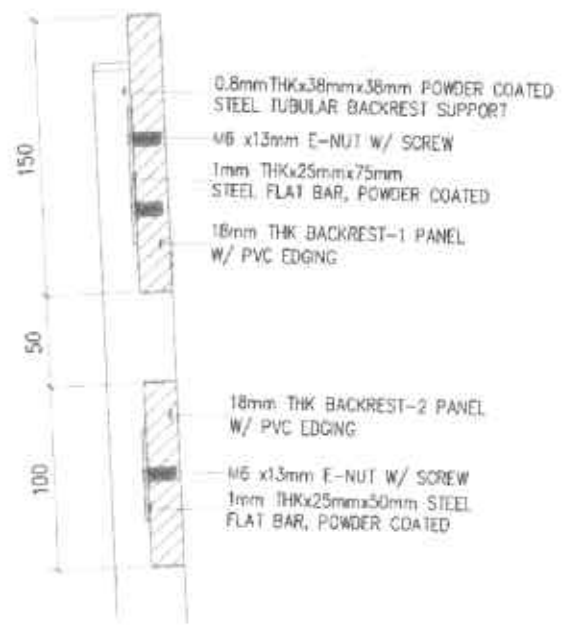
NOTES:  
WOOD GLUE SHALL BE APPLIED BEFORE INSERTING E-NUT INTO THE PLYWOOD CORNERS OF BACKREST & SEAT PANELS MUST BE ROUNDED

<p>DEPARTMENT OF EDUCATION BUREAU OF ASSISTANT SECRETARIES MANILA OFFICE</p>	<p>DESIGNED BY: <i>[Signature]</i> ARCHITECT</p>	<p>REVISIONS APPROVAL: <i>[Signature]</i> ENGR. IN CHARGE OFFICE OF TECHNICAL FACILITIES DIVISION</p>	<p>APPROVED BY: <i>[Signature]</i> ERIMACO V. D. JARRO Undersecretary for Technical Planning and Facilities</p>	<p>CONCURRED BY: <i>[Signature]</i> DINA O. MONONG Undersecretary for Construction and Building</p>	<p>PROJECT TITLE: TEACHER'S CHAIR (WOOD &amp; STEEL)</p>	<p>SHEET CONTENTS: PART 8 - FURNITURE - TEACHER'S CHAIR</p>	<p>SHEET NO: 2 3</p>
	<p>APPROVAL OF PHILIPPINE ARCHITECTS ASSOCIATION (P.A.A.)</p>						
	<p>APPROVAL OF REGISTERED PROFESSIONAL ENGINEERS (R.P.E.)</p>						

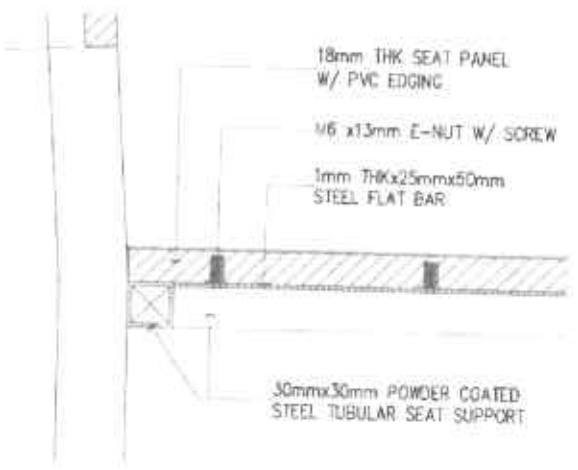




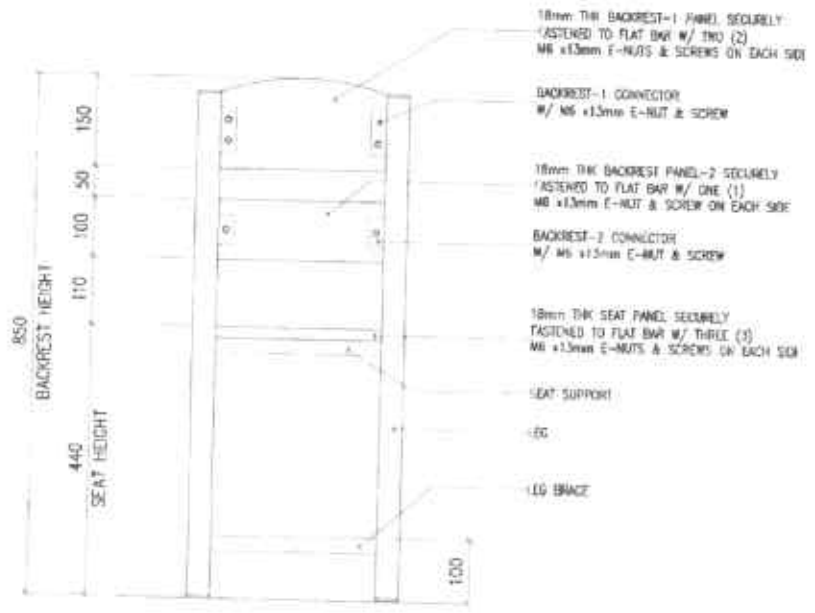
1 CROSS SECTION  
3 SCALE 1 : 50 M



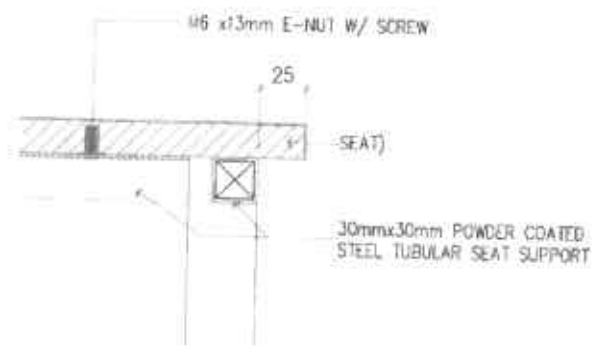
3 DETAIL - 1  
3 SCALE 1 : 50 M



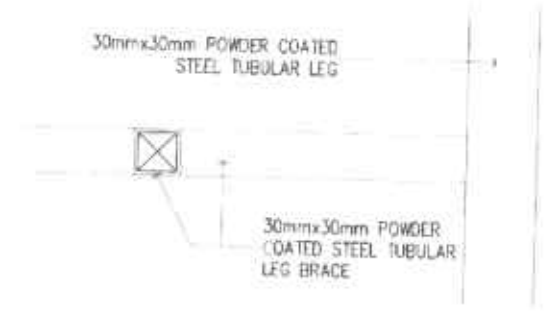
4 DETAIL - 2  
3 SCALE 1 : 50 M



2 REAR ELEVATION  
3 SCALE 50 M



5 DETAIL - 3  
3 SCALE 1 : 50 M



6 DETAIL - 4  
3 SCALE 1 : 50 M

NOTES:  
WOOD GLUE SHALL BE APPLIED BEFORE INSERTING E-NUT INTO THE PLYWOOD  
CORNERS OF BACKREST & SEAT PANELS MUST BE ROUNDED

<p>DEPARTMENT OF EDUCATION DIVISION OFFICE - CALABARZON</p>	<p>DESIGNED BY <i>[Signature]</i> ARCHITECT</p>	<p>RECOMMENDING APPROVAL <i>[Signature]</i> DASH / ARCHITECT ONE - BACHANG FACILITY DESIGN</p>	<p>DRAWN BY <i>[Signature]</i> DASH / ARCHITECT UNIVERSITY OF CALABARZON</p>	<p>CHECKED BY <i>[Signature]</i> DASH / ARCHITECT UNIVERSITY OF CALABARZON</p>	<p>PROJECT TITLE <b>TEACHER'S CHAIR (WOOD &amp; STEEL)</b></p>	<p>SHEET CONTENTS CROSS SECTION REAR ELEVATION SPOT DETAILS</p>	<p>SHEET NO. <b>3</b> <b>3</b></p>
	<p>REPUBLIC OF THE PHILIPPINES</p>						