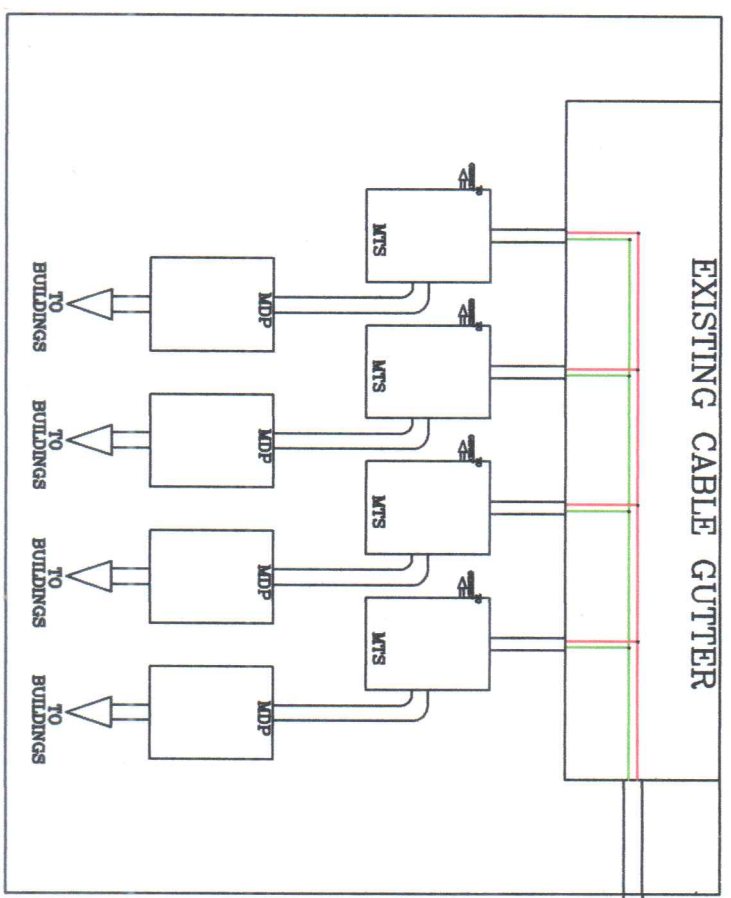
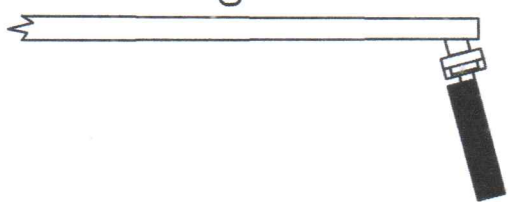


SERVICE LINE



LED STREETLIGHT



BUILDING MOUNTED

\*MANUAL TRANSFER SWITCH (MTS)  
TO INSTALLED AND TO BE  
CONNECTED TO THE WIRE COMING  
FROM GENERATOR SIDE(GENSET),  
LINE SIDE ( SERVICE LINE), AND  
LOAD SIDE ( MDP )

\*MAIN DISTRIBUTION PANEL (MDP)  
TO INSTALLED AND TO BE  
THE MAIN SAFETY SWITCH OF  
THE BUILDING.

PREPARED BY:  
  
**JESTER SETH B. CALIXTO**  
ENGINEER I

RECOMMENDING APPROVAL:  
  
**CHRISTOPHER B. HADSAN**  
ENGINEER III, OIC-CHIEF, ESD

APPROVED BY:  
  
**ESTELA L. CARINO, ED. D. CESO IV**  
REGIONAL DIRECTOR

PROJECT TITLE:  
**UPGRADING OF  
ELECTRICAL  
SYSTEM**

OWNER:  
**DEPARTMENT OF EDUCATION-  
CAR REGIONAL OFFICE**

SHEET CONTENT:  
LED STREETLIGHT  
MTS INSTALLATION  
COLUMN DETAIL