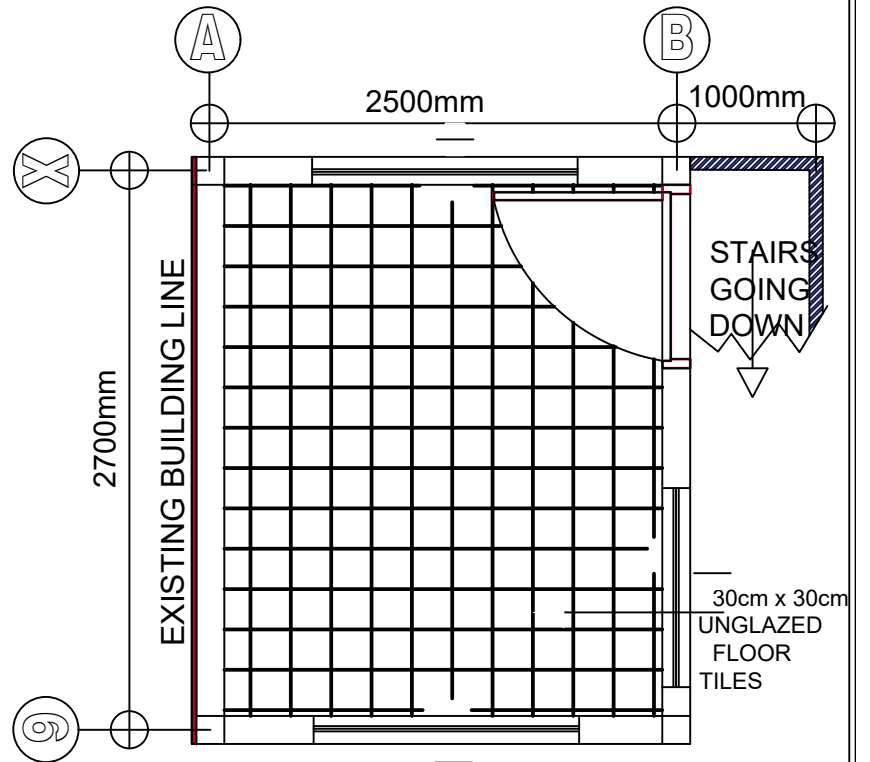
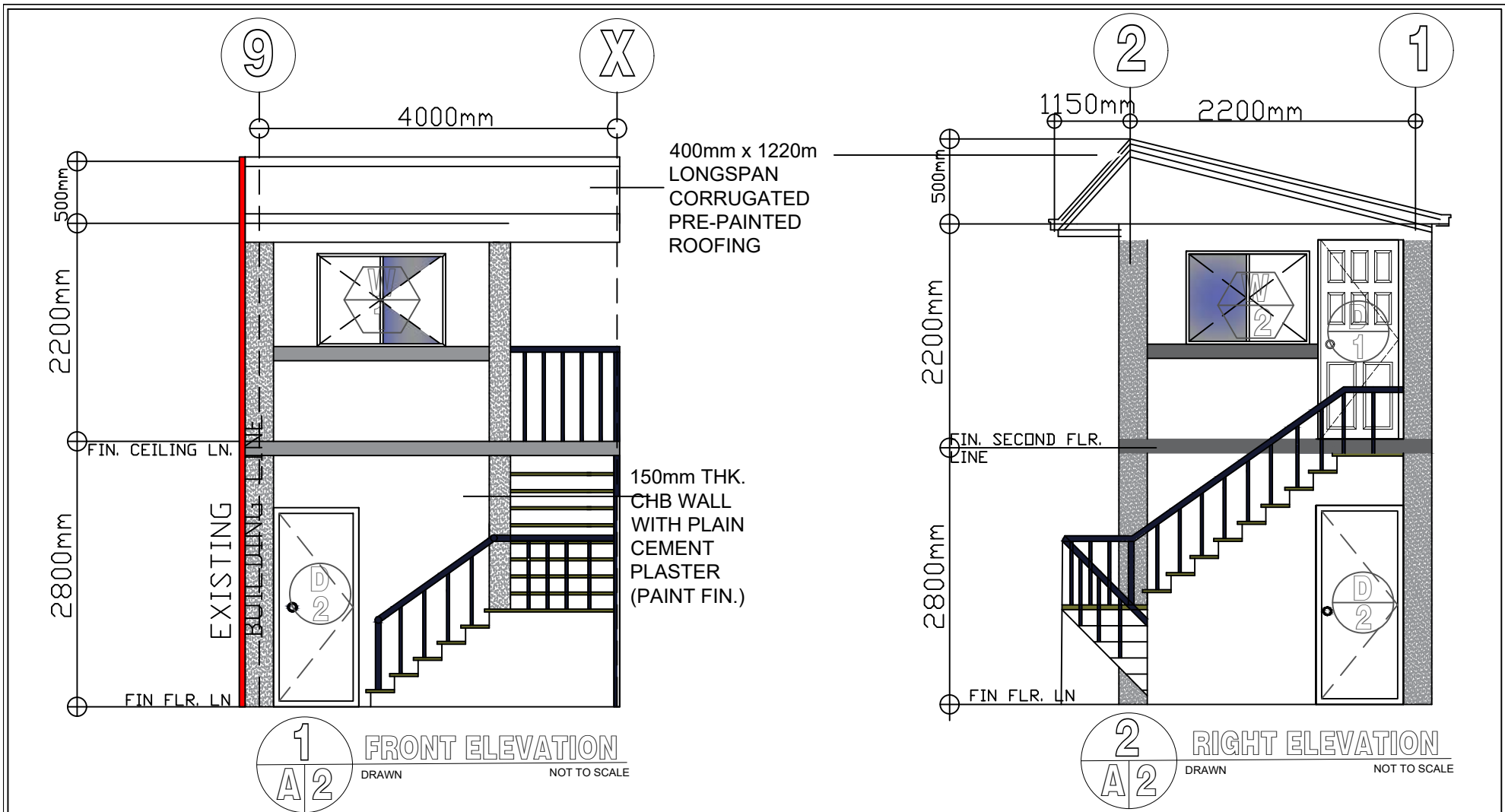


1
A1
GROUND FLOOR PLAN
DRAWN NOT TO SCALE

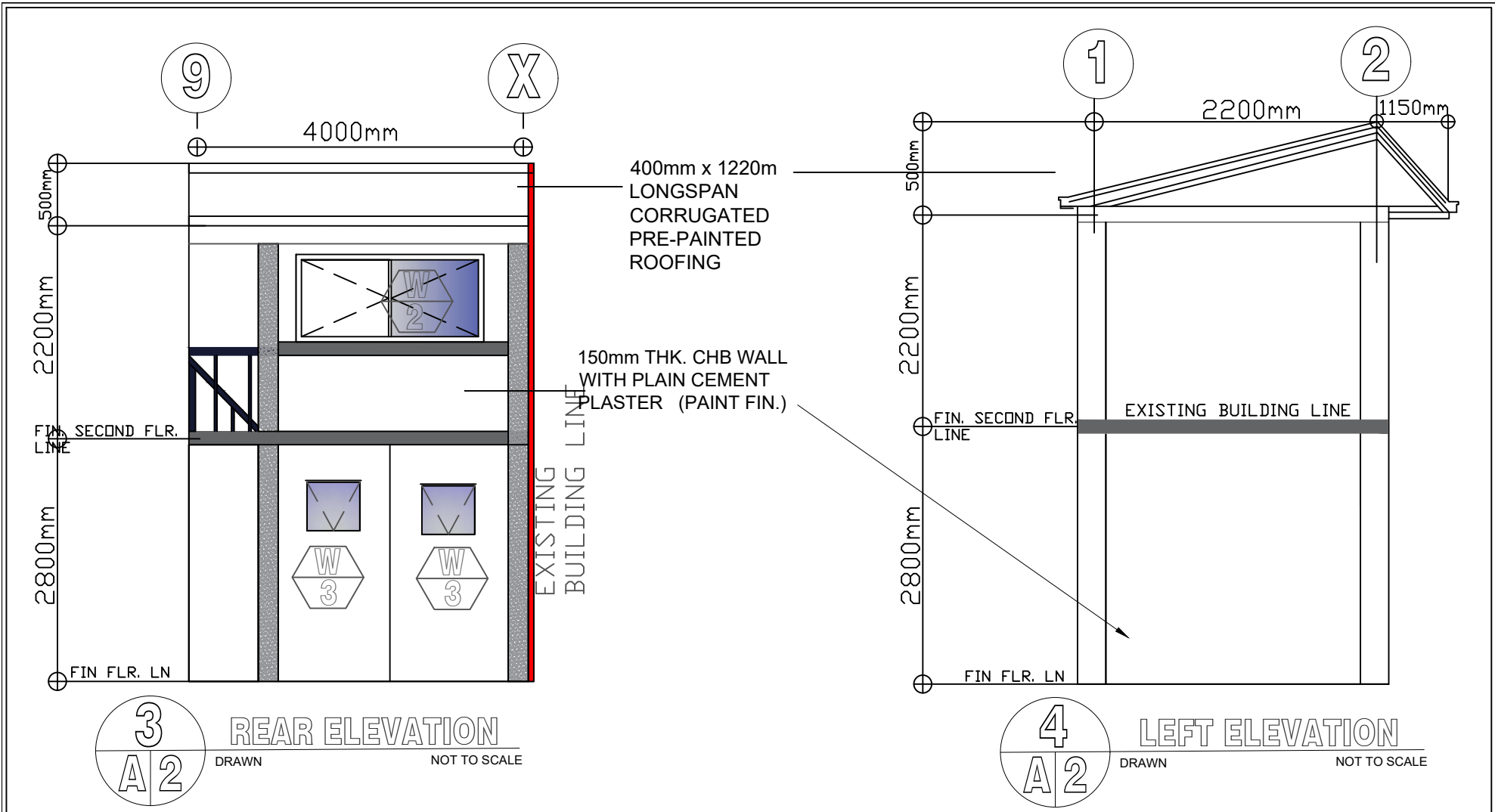


2
A1
SECOND FLOOR PLAN
DRAWN NOT TO SCALE

REPUBLIC OF THE PHILIPPINES DepEd DEPARTMENT OF EDUCATION EDUCATION FACILITIES SECTION WANGAL, LA TRINIDAD, BENGUET	PREPARED BY:	CHECKED BY:	RECOMMENDING APPROVAL:	APPROVED BY:	PROJECT TITLE:	OWNER:	SHEET NO.:
	KEMERY G. RIZALDO ENGINEER I	CHRISTOPHER B. HADSAN ENGINEER III	AGUSTIN B. GUMUWANG, Ph.D. CHIEF, ESSD	MAY B. ECLAR, Ph.D., CESO V REGIONAL DIRECTOR	PROPOSED REPAIR AND EXTENSION OF STEPHEN N. CAPUYAN BUILDING (ESF OFFICE EXTENSION)	DEPARTMENT OF EDUCATION-CAR REGIONAL OFFICE SHEET CONTENT: - GROUND FLOOR PLAN - SECOND FLOOR PLAN	A1 4



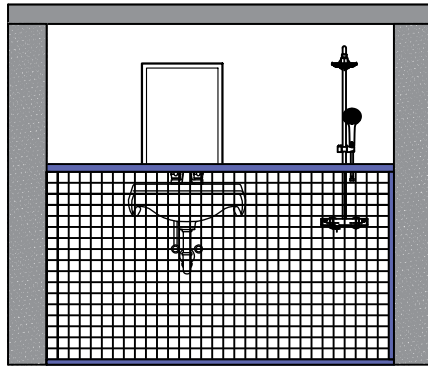
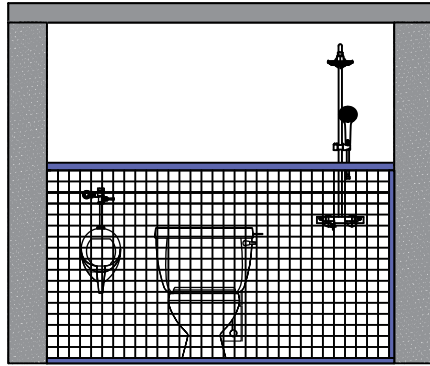
REPUBLIC OF THE PHILIPPINES DepED DEPARTMENT OF EDUCATION EDUCATION FACILITIES SECTION WANGAL, LA TRINIDAD, BENGUET	PREPARED BY:	CHECKED BY:	RECOMMENDING APPROVAL:	APPROVED BY:	PROJECT TITLE:	OWNER:	SHEET NO.:
	KEMERY G. RIZALDO ENGINEER I	CHRISTOPHER B. HADSAN ENGINEER III	AGUSTIN B. GUMUWANG, Ph.D. CHIEF, ESSD	MAY B. ECLAR, Ph.D., CESO V REGIONAL DIRECTOR	PROPOSED REPAIR AND EXTENSION OF STEPHEN N. CAPUYAN BUILDING (ESF OFFICE EXTENSION)	DEPARTMENT OF EDUCATION-CAR REGIONAL OFFICE SHEET CONTENT: - FRONT ELEVATION - RIGHT ELEVATION	A2 4



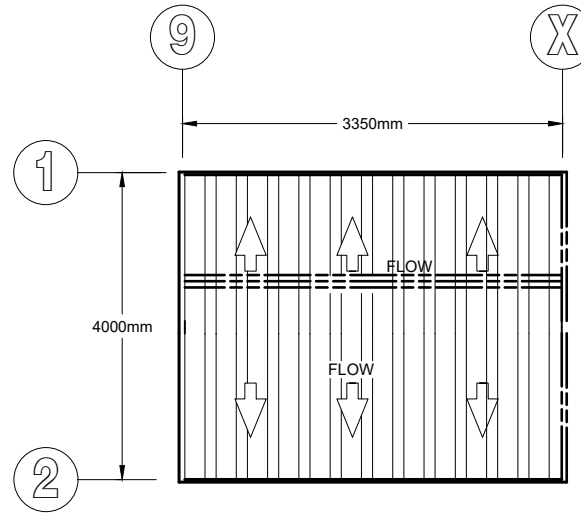
3 REAR ELEVATION
DRAWN NOT TO SCALE

4 LEFT ELEVATION
DRAWN NOT TO SCALE

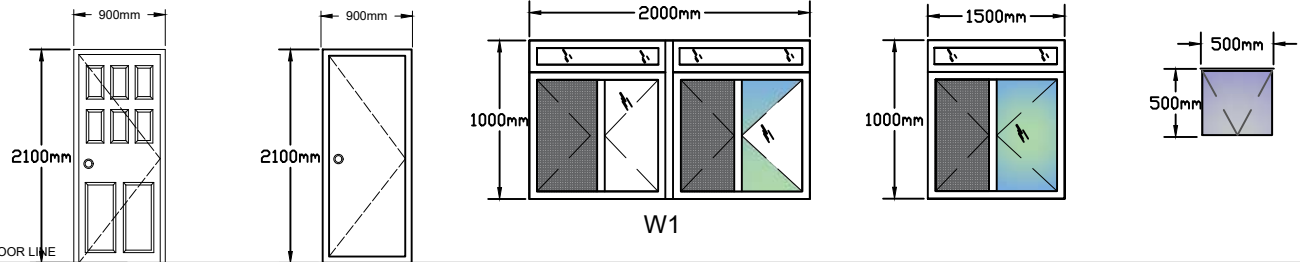
REPUBLIC OF THE PHILIPPINES DepED DEPARTMENT OF EDUCATION EDUCATION FACILITIES SECTION WANGAL, LA TRINIDAD, BENGUET	PREPARED BY:	CHECKED BY:	RECOMMENDING APPROVAL:	APPROVED BY :	PROJECT TITLE:	OWNER :	SHEET NO. :
	KEMERY G. RIZALDO ENGINEER I	CHRISTOPHER B. HADSAN ENGINEER III	AGUSTIN B. GUMUWANG, Ph.D. CHIEF, ESSD	MAY B. ECLAR, Ph.D., CESO V REGIONAL DIRECTOR	PROPOSED REPAIR AND EXTENSION OF STEPHEN N. CAPUYAN BUILDING (ESF OFFICE EXTENSION)	DEPARTMENT OF EDUCATION- CAR REGIONAL OFFICE SHEET CONTENT : - REAR ELEVATION - LEFT ELEVATION	A3 4



5
A2
CROSS SECTION
DRAWN NOT TO SCALE



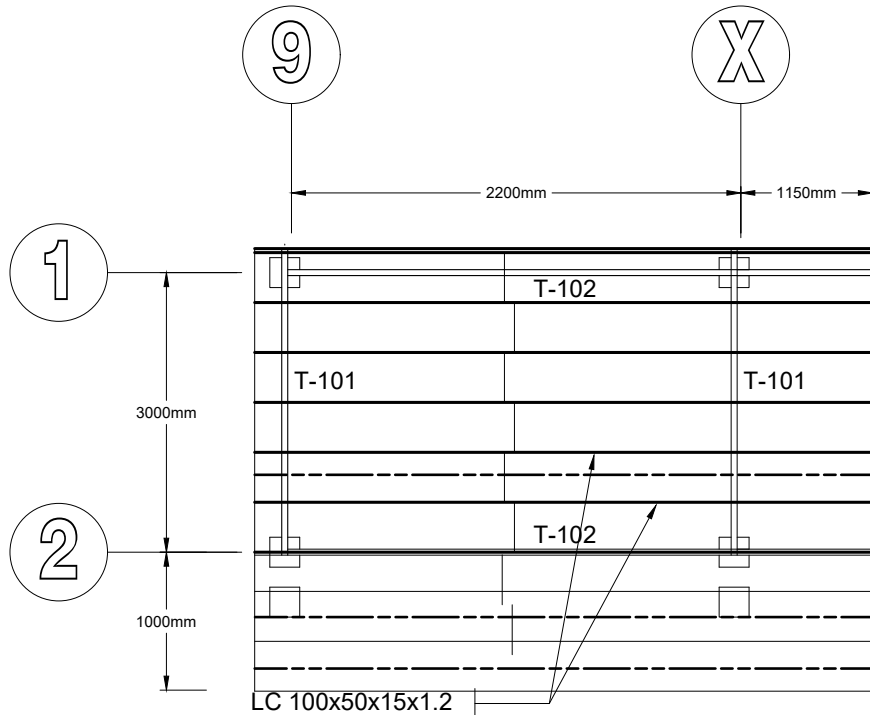
1
A3
ROOF PLAN
DRAWN NOT TO SCALE



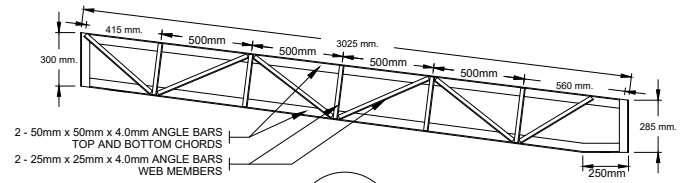
LABEL	D1	D2	W1	W2	W3
DESCRIPTION	PANEL DOOR WITH DOOR JAMB	FLUSH DOOR /PVC	SLIDING GLASS WINDOW (MIRROR TYPE) WITH SCREEN	SLIDING GLASS WINDOW (MIRROR TYPE) WITH SCREEN	STEEL AWNING WINDOW
NO. OF SET	3 SETS	2 SETS	2 SETS	2 SETS	2SETS

1
A4
DOORS AND WINDOWS SCHEDULE
DRAWN NOT TO SCALE

REPUBLIC OF THE PHILIPPINES DEPARTMENT OF EDUCATION EDUCATION FACILITIES SECTION WANGAL, LA TRINIDAD, BENGUET	PREPARED BY:	CHECKED BY:	RECOMMENDING APPROVAL:	APPROVED BY:	PROJECT TITLE:	OWNER:	SHEET NO.:
	KEMERY G. RIZALDO ENGINEER I	CHRISTOPHER B. HADSAN ENGINEER III	AGUSTIN B. GUMUWANG, Ph.D. CHIEF, ESSD	MAY B. ECLAR, Ph.D., CESO V REGIONAL DIRECTOR	PROPOSED REPAIR AND EXTENSION OF STEPHEN N. CAPUYAN BUILDING (ESF OFFICE EXTENSION)	DEPARTMENT OF EDUCATION-CAR REGIONAL OFFICE SHEET CONTENT: - CROSS SECTION - ROOF PLAN - DOORS AND WINDOWS SCHEDULE	A1 4

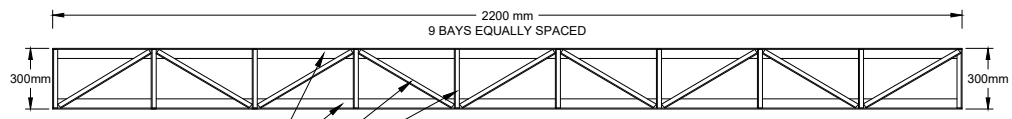


1
S 1
ROOF FRAMING PLAN
DRAWN NOT TO SCALE



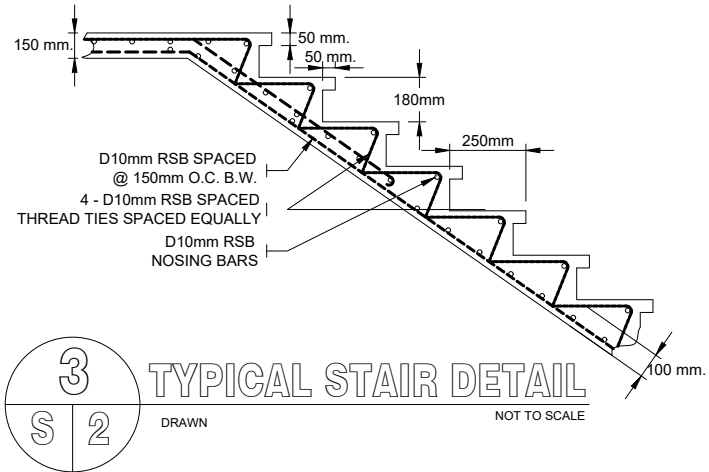
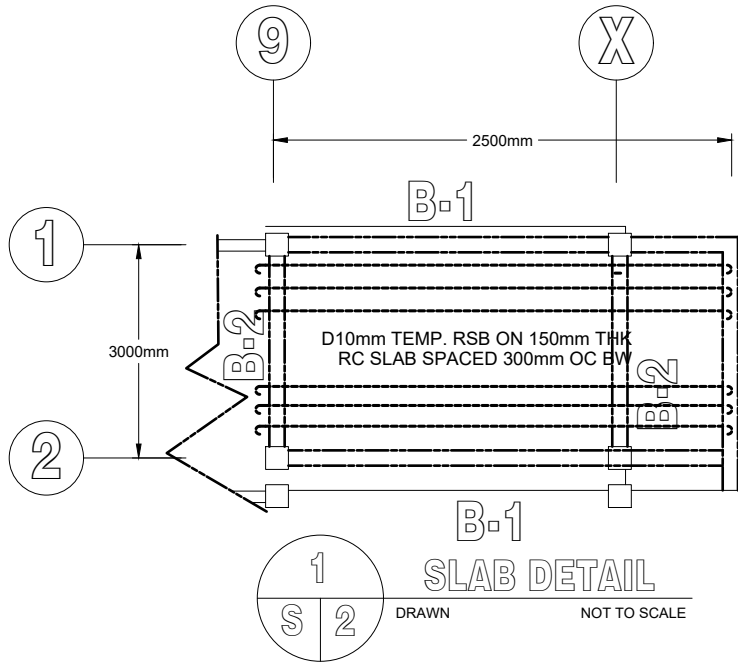
2
S 1
T-101 DETAIL
DRAWN NOT TO SCALE

NOTE: PROVIDE AT LEAST 4x50mm INTERMITTENT WELD EVERY 300mm FOR TOP, BOTTOM CHORD AND WEB MEMBERS

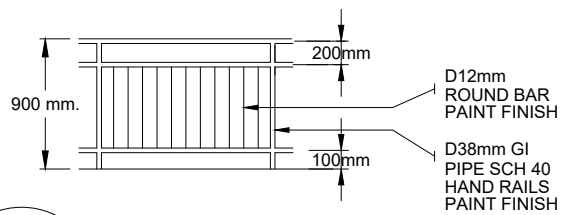


3
S 1
T-102 DETAIL
DRAWN NOT TO SCALE

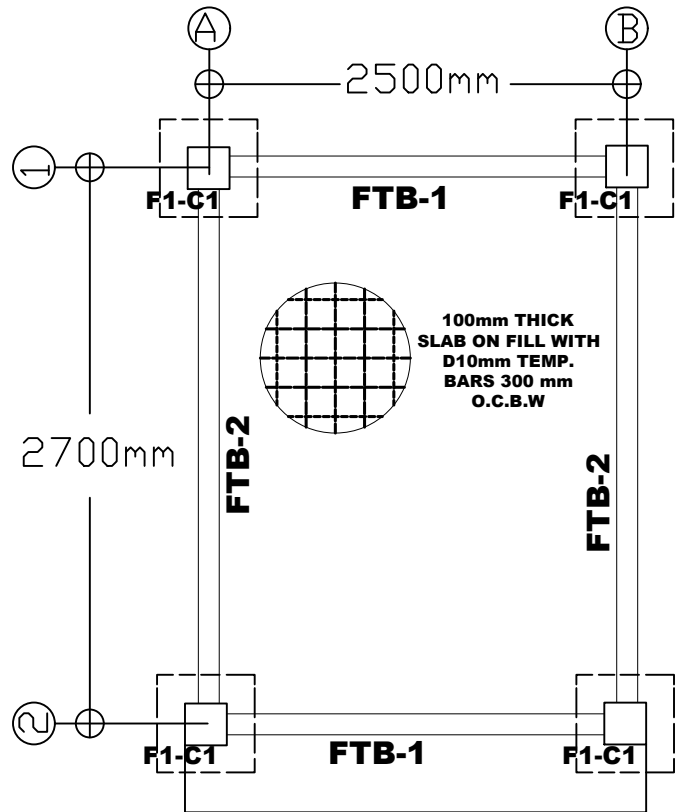
REPUBLIC OF THE PHILIPPINES DepED DEPARTMENT OF EDUCATION EDUCATION FACILITIES SECTION WANGAL, LA TRINIDAD, BENGUET	PREPARED BY:	CHECKED BY:	RECOMMENDING APPROVAL:	APPROVED BY:	PROJECT TITLE:	OWNER:	SHEET NO.:
	KEMERY G. RIZALDO ENGINEER I	CHRISTOPHER B. HADSAN ENGINEER III	AGUSTIN B. GUMUWANG, Ph.D. CHIEF, ESSD	MAY B. ECLAR, Ph.D., CESO V REGIONAL DIRECTOR	PROPOSED REPAIR AND EXTENSION OF STEPHEN N. CAPUYAN BUILDING (ESF OFFICE EXTENSION)	DEPARTMENT OF EDUCATION- CAR REGIONAL OFFICE SHEET CONTENT: - ROOF FRAMING PLAN - T-101 DETAIL - T-102 DETAIL	S1 4



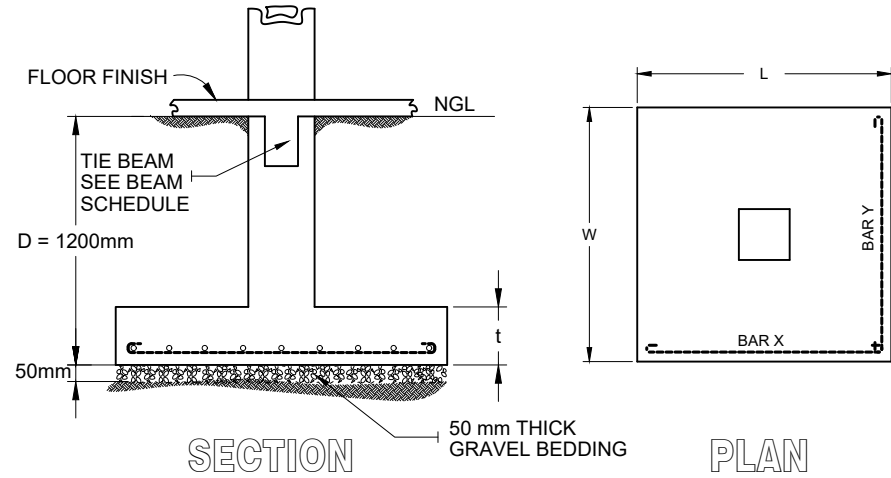
COLUMN SCHEDULE	
FIRST TO SECOND FLOOR COLUMN DETAIL	
MAIN BAR:	6 D16mm
TIES:	4@50, 2@100, 2@150 REST @ 200mm TO CENTER



REPUBLIC OF THE PHILIPPINES DEPARTMENT OF EDUCATION EDUCATION FACILITIES SECTION WANGAL, LA TRINIDAD, BENGUET	PREPARED BY:	CHECKED BY:	RECOMMENDING APPROVAL:	APPROVED BY:	PROJECT TITLE:	OWNER:	SHEET NO.:
	KEMERY G. RIZALDO ENGINEER I	CHRISTOPHER B. HADSAN ENGINEER III	AGUSTIN B. GUMUWANG, Ph.D. CHIEF, ESSD	MAY B. ECLAR, Ph.D., CESO V REGIONAL DIRECTOR	PROPOSED REPAIR AND EXTENSION OF STEPHEN N. CAPUYAN BUILDING (ESF OFFICE EXTENSION)	DEPARTMENT OF EDUCATION- CAR REGIONAL OFFICE SHEET CONTENT : - SLAB DETAIL - RAILING DETAIL - TYPICAL STAIR DETAIL - COLUMN SCHEDULE	



1 FOUNDATION PLAN
DRAWN NOT TO SCALE

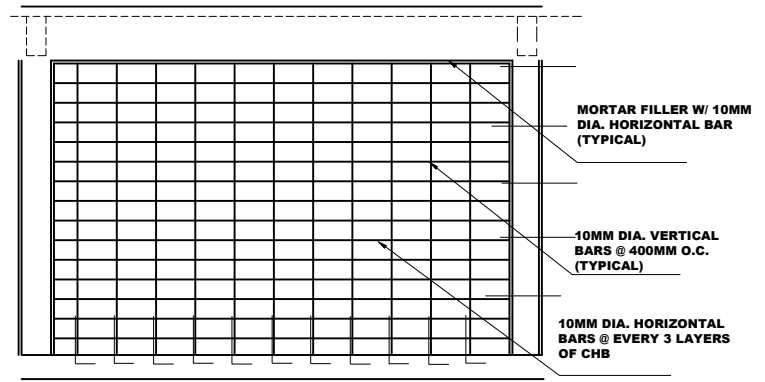
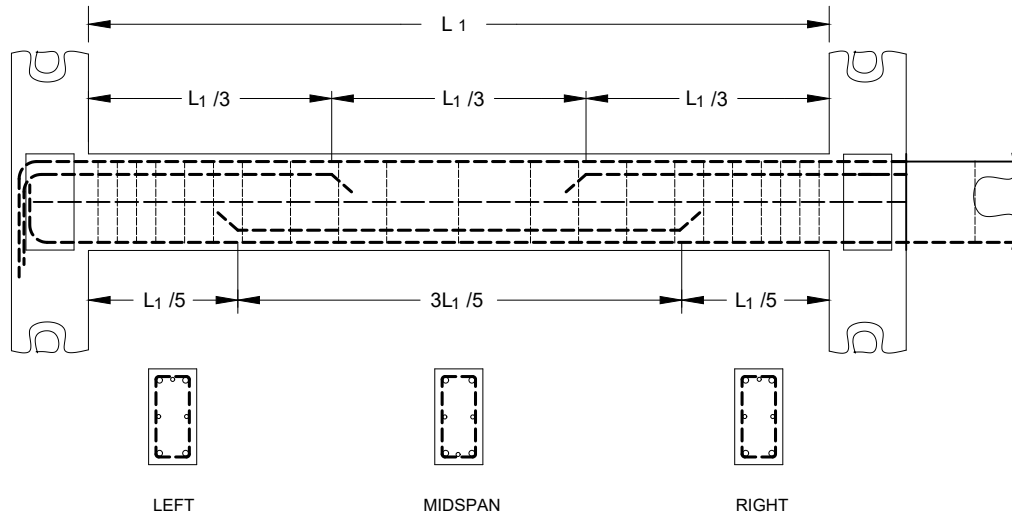


SECTION PLAN

FOOTING SCHEDULE							
FOOTING MARK	FOOTING DIMENSIONS (mm)				REINFORCEMENT		REMARKS
	LENGTH (L)	WIDTH (W)	thickness (t)	DEPTH (D)	BAR X	BAR Y	
F-1	1000	1000	300	1200	8 - D16mm	8 - D16mm	SQUARE FOOTING

2 FOOTING DETAIL
DRAWN NOT TO SCALE

REPUBLIC OF THE PHILIPPINES DepEd DEPARTMENT OF EDUCATION EDUCATION FACILITIES SECTION WANGAL, LA TRINIDAD, BENGUET	PREPARED BY:	CHECKED BY:	RECOMMENDING APPROVAL:	APPROVED BY:	PROJECT TITLE:	OWNER:	SHEET NO.:
	KEMERY G. RIZALDO ENGINEER I	CHRISTOPHER B. HADSAN ENGINEER III	AGUSTIN B. GUMUWANG, Ph.D. CHIEF, ESSD	MAY B. ECLAR, Ph.D., CESO V REGIONAL DIRECTOR	PROPOSED REPAIR AND EXTENSION OF STEPHEN N. CAPUYAN BUILDING (ESF OFFICE EXTENSION)	DEPARTMENT OF EDUCATION-CAR REGIONAL OFFICE SHEET CONTENT: - FOUNDATION PLAN - FOOTING DETAIL	S3 4



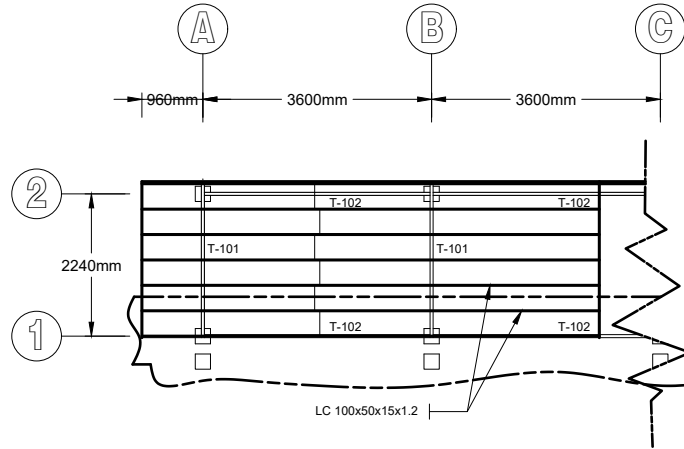
2 TYPICAL MASONRY ELEVATION
DRAWN NOT TO SCALE

BEAM SCHEDULE

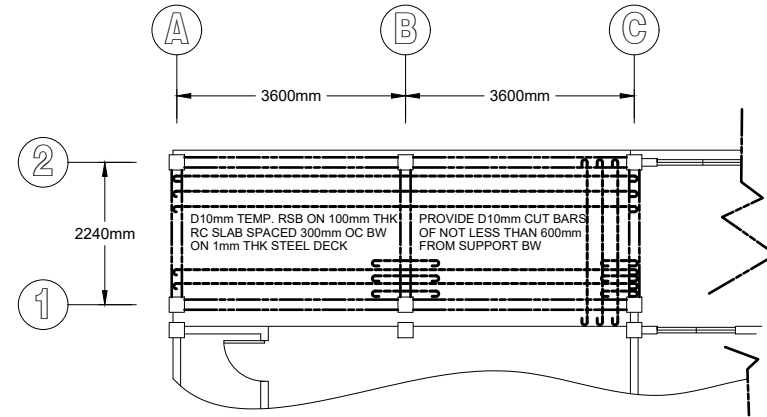
BEAM MARK	BEAM DIMENSIONS		STEEL REINFORCEMENT						STIRRUPS D10 mm (UNLESS NOTED OTHERWISE)	
	WIDTH (b,mm)	DEPTH (h,mm)	REBAR DIAMETER (mm)	LEFT		MIDSPAN		RIGHT		
				TOP	BOTT.	TOP	BOTT.	TOP		BOTT.
B1	350	400	12	3	2	2	3	3	2	3@50, 4@100, 4@ 150 REST @200 TO CENTER
B2	350	400	12	3	2	2	3	3	2	
TB	200	350	12	3	3	2	2	3	3	

1 BEAM SCHEDULE
DRAWN NOT TO SCALE

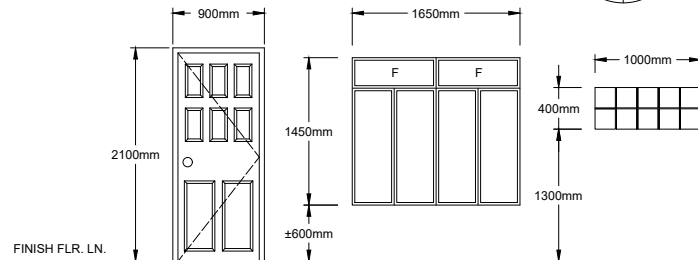
REPUBLIC OF THE PHILIPPINES DEPARTMENT OF EDUCATION EDUCATION FACILITIES SECTION WANGAL, LA TRINIDAD, BENGUET	PREPARED BY:	CHECKED BY:	RECOMMENDING APPROVAL:	APPROVED BY :	PROJECT TITLE:	OWNER :	SHEET NO.:	
	KEMERY G. RIZALDO ENGINEER I	CHRISTOPHER B. HADSAN ENGINEER III	AGUSTIN B. GUMUWANG, Ph.D. CHIEF, ESSD	MAY B. ECLAR, Ph.D., CESO V REGIONAL DIRECTOR	PROPOSED REPAIR AND EXTENSION OF STEPHEN N. CAPUYAN BUILDING (ESF OFFICE EXTENSION)	DEPARTMENT OF EDUCATION- CAR REGIONAL OFFICE	SHEET CONTENT : - BEAM SCHEDULE - TYPICAL MASONRY ELEVATION	



2
S 1
ROOF FRAMING PLAN
DRAWN NOT TO SCALE



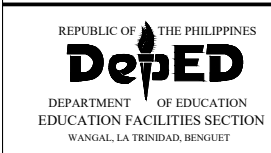
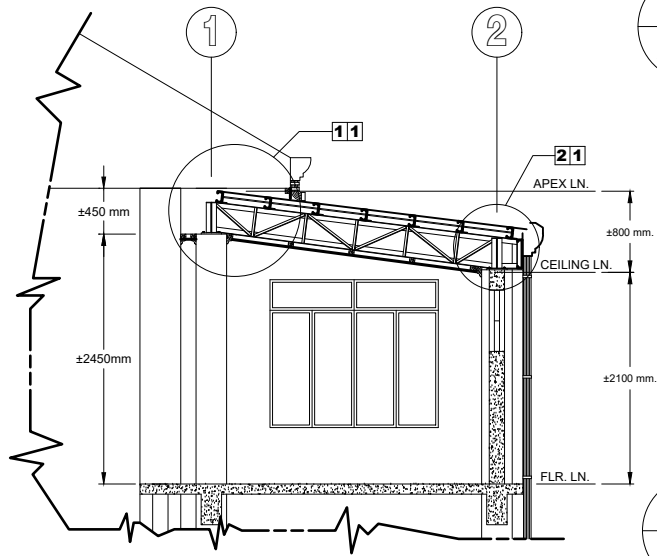
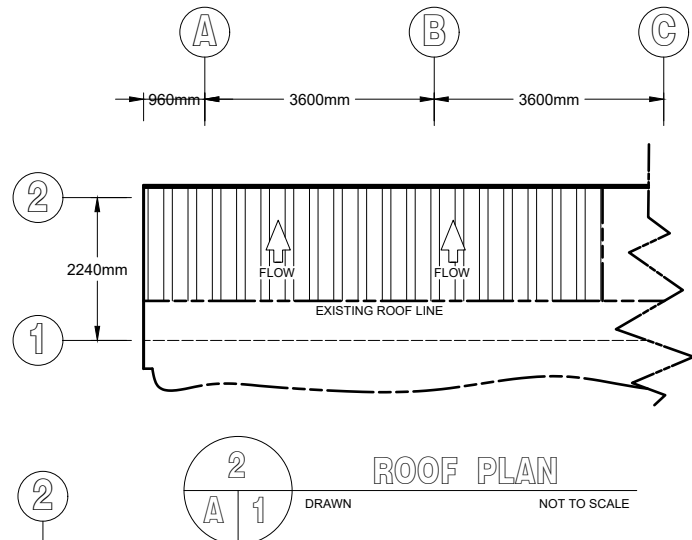
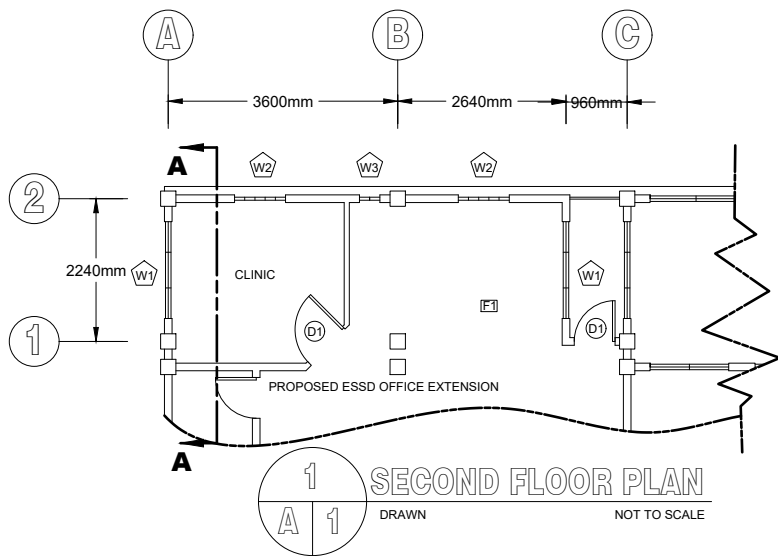
1
S 1
SECOND FLOOR FRAMING PLAN
DRAWN NOT TO SCALE



LABEL	D1	W1	W2 and W3
DESCRIPTION	PANEL DOOR WITH DOOR JAMB	STEEL CASEMENT WINDOW	200mm x 200mm GLASS BLOCKS
NO. OF SET	2 SETS	2 SET	2 SETS (2 x 5) and 1 SET (2 x 2)

4
A 1
DOORS AND WINDOWS SCHEDULE
DRAWN NOT TO SCALE

REPUBLIC OF THE PHILIPPINES DepED DEPARTMENT OF EDUCATION EDUCATION FACILITIES SECTION WANGAL, LA TRINIDAD, BENGUET	PREPARED BY:	CHECKED BY:	RECOMMENDING APPROVAL:	APPROVED BY :	PROJECT TITLE:	OWNER :	SHEET NO. :
	CULLEN S. WEGIYON DRAFTSMAN	CHRISTOPHER B. HADSAN ENGINEER III	AGUSTIN B. GUMUWANG, Ph.D. CHIEF, ESSD	MAY B. ECLAR, Ph.D., CESO V REGIONAL DIRECTOR	PROPOSED REPAIR AND EXTENSION OF STEPHEN N. CAPUYAN BUILDING (ESSD OFFICE EXTENSION)	DEPARTMENT OF EDUCATION- CAR REGIONAL OFFICE SHEET CONTENT : - ROOF FRAMING PLAN - SECOND FLOOR FRAMING PLAN - DOORS AND WINDOWS SCHEDULE	A/S2 2



PREPARED BY :
CULLEN S. WEGIYON
DRAFTSMAN

CHECKED BY :
CHRISTOPHER B. HADSAN
ENGINEER III

RECOMMENDING APPROVAL :
AGUSTIN B. GUMUWANG, Ph.D.
CHIEF, ESSD

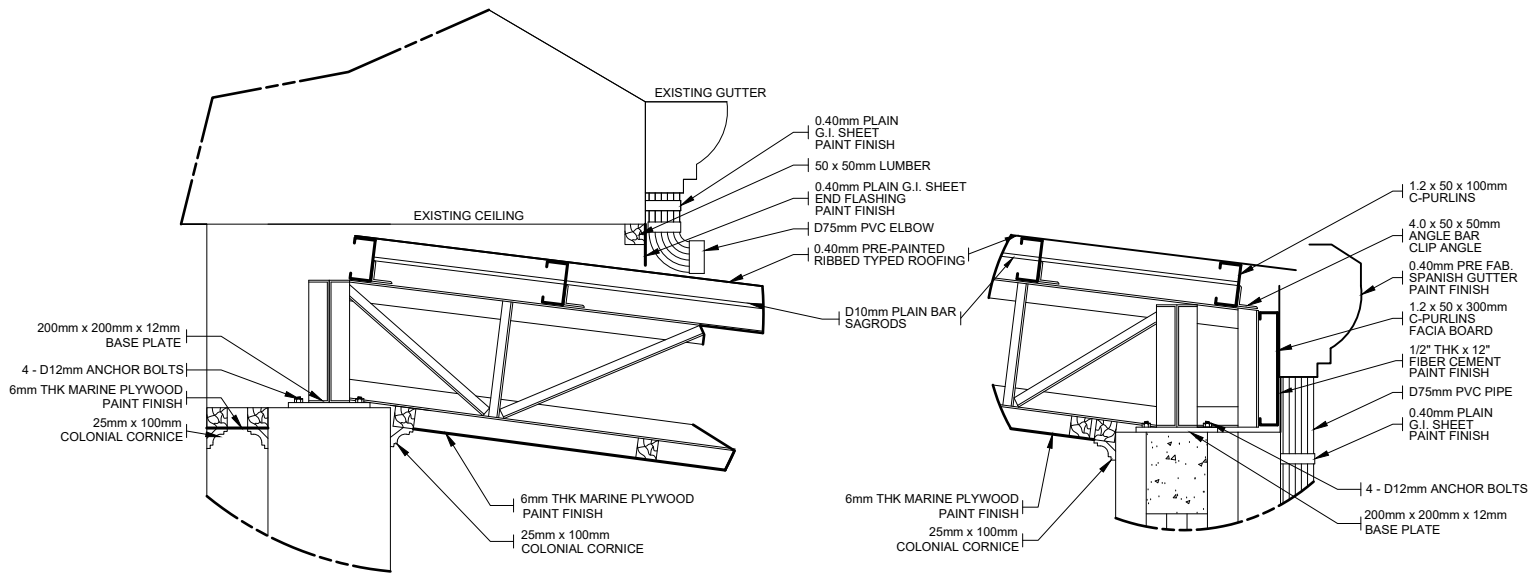
APPROVED BY :
MAY B. ECLAR, Ph.D., CESO V
REGIONAL DIRECTOR

PROJECT TITLE :
PROPOSED REPAIR AND EXTENSION OF STEPHEN N. CAPUYAN BUILDING (ESSD OFFICE EXTENSION)

OWNER :
DEPARTMENT OF EDUCATION-CAR REGIONAL OFFICE

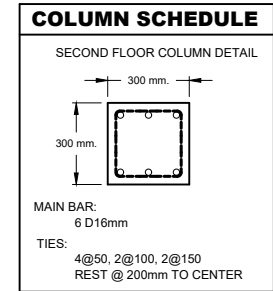
SHEET CONTENT :
- **SECOND FLOOR PLAN**
- **ROOF PLAN**
- **SECTION THRU A-A**

SHEET NO. :
A1
2



1
S 3
1-1 DETAIL
DRAWN NOT TO SCALE

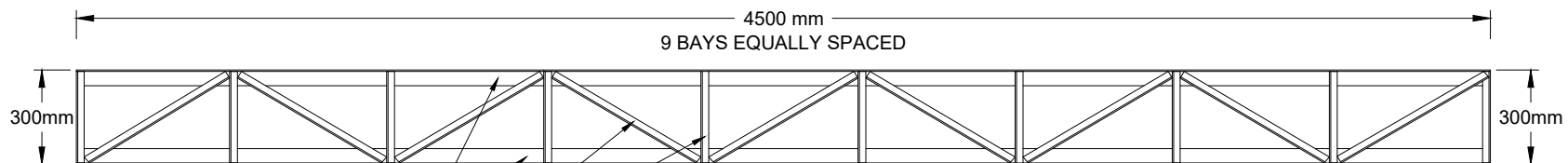
2
S 3
2-1 DETAIL
DRAWN NOT TO SCALE



REPUBLIC OF THE PHILIPPINES DEPARTMENT OF EDUCATION EDUCATION FACILITIES SECTION WANGAL, LA TRINIDAD, BENGUET	PREPARED BY :	CHECKED BY :	RECOMMENDING APPROVAL :	APPROVED BY :	PROJECT TITLE :	OWNER :	SHEET NO. :
	CULLEN S. WEGIYON DRAFTSMAN	CHRISTOPHER B. HADSAN ENGINEER III	AGUSTIN B. GUMUWANG, Ph.D. CHIEF, ESSD	MAY B. ECLAR, Ph.D., CESO V REGIONAL DIRECTOR	PROPOSED REPAIR AND EXTENSION OF STEPHEN N. CAPUYAN BUILDING (ESSD OFFICE EXTENSION)	DEPARTMENT OF EDUCATION- CAR REGIONAL OFFICE SHEET CONTENT : - 1-1 DETAIL - 2-1 DETAIL	

NOTE:

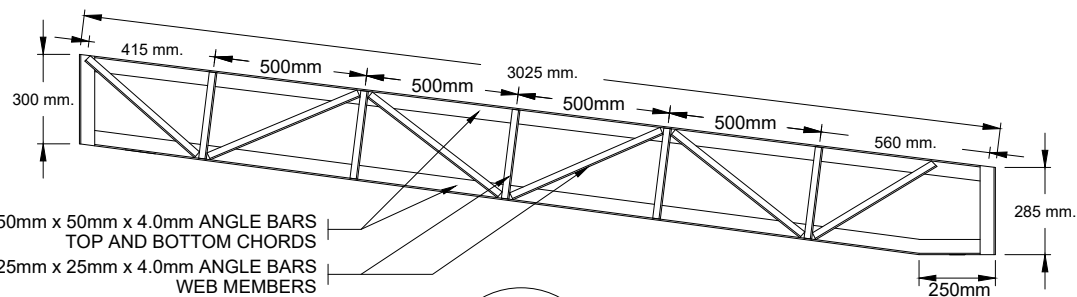
PROVIDE AT LEAST 4x50mm INTERMITTENT WELD EVERY 300mm FOR TOP, BOTTOM CHORD AND WEB MEMBERS



- 2 - 38mm x 38mm x 3.0mm ANGLE BARS
TOP AND BOTTOM CHORDS
- 2 - 25mm x 25mm x 3.0mm ANGLE BARS
WEB MEMBERS

4
T-102
DETAIL

S
3
DRAWN
NOT TO SCALE



- 2 - 50mm x 50mm x 4.0mm ANGLE BARS
TOP AND BOTTOM CHORDS
- 2 - 25mm x 25mm x 4.0mm ANGLE BARS
WEB MEMBERS

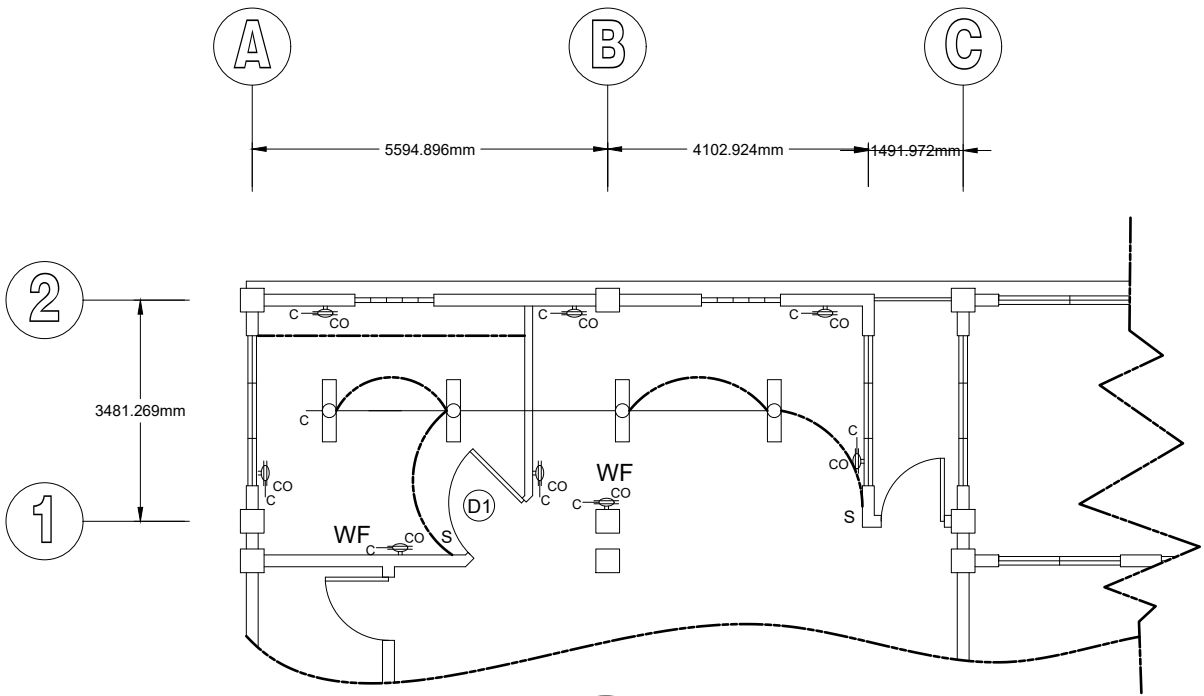
3
T-101
DETAIL

S
3
DRAWN
NOT TO SCALE

REPUBLIC OF THE PHILIPPINES DEPARTMENT OF EDUCATION EDUCATION FACILITIES SECTION WANGAL, LA TRINIDAD, BENGUET	PREPARED BY:	CHECKED BY:	RECOMMENDING APPROVAL:	APPROVED BY:	PROJECT TITLE:	OWNER:	SHEET NO.:
	CULLEN S. WEGIYON <small>DRAFTSMAN</small>	CHRISTOPHER B. HADSAN <small>ENGINEER III</small>	AGUSTIN B. GUMUWANG, Ph.D. <small>CHIEF, ESSD</small>	MAY B. ECLAR, Ph.D., CESO V <small>REGIONAL DIRECTOR</small>	PROPOSED REPAIR AND EXTENSION OF STEPHEN N. CAPUYAN BUILDING (ESSD OFFICE EXTENSION)	DEPARTMENT OF EDUCATION- CAR REGIONAL OFFICE	SHEET CONTENT : - T-101 DETAIL - T-102 DETAIL

LEGENDS

SYMBOL	DESCRIPTION
	6"x48" FL LIGHT FIXTURE RECESSED TYPE W/ LUMINAIRE
	SWITCH RACEWAY
	RACEWAY CONDUIT CONCEALED IN CEILING, TAP TO EXISTING POWER LINE
	DUPLEX CONVENIENCE OUTLET, EXPOSED TYPE 10 AMPS, 250 VOLT WITH MODERN PLATE COVER
	WALL FAN

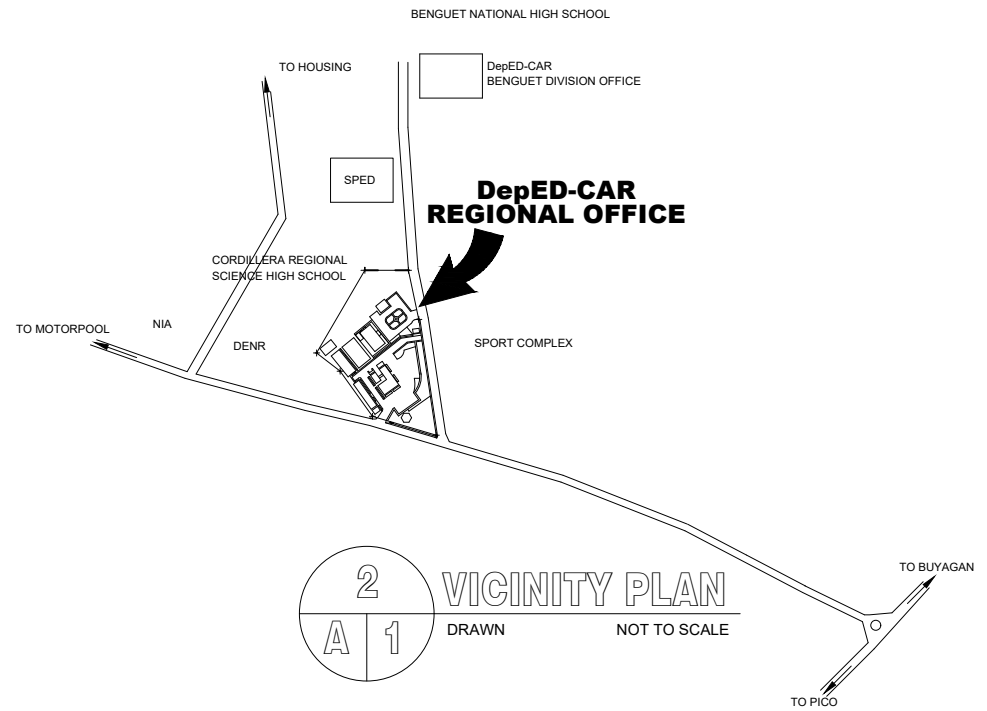


1
ELECTRICAL LAY-OUT
E 1
DRAWN
NOT TO SCALE



REPUBLIC OF THE PHILIPPINES DEPARTMENT OF EDUCATION EDUCATION FACILITIES SECTION WANGAL, LA TRINIDAD, BENGUET	PREPARED BY:	CHECKED BY:	RECOMMENDING APPROVAL:	APPROVED BY :	PROJECT TITLE:	OWNER :	SHEET NO.:
	CULLEN S. WEGIYON <small>DRAFTSMAN</small>	CHRISTOPHER B. HADSAN <small>ENGINEER III</small>	AGUSTIN B. GUMUWANG, Ph.D. <small>CHIEF, ESSD</small>	MAY B. ECLAR, Ph.D., CESO V <small>REGIONAL DIRECTOR</small>	PROPOSED REPAIR AND EXTENSION OF STEPHEN N. CAPUYAN BUILDING (ESSD OFFICE EXTENSION)	DEPARTMENT OF EDUCATION- CAR REGIONAL OFFICE SHEET CONTENT : - ELECTRICAL LAYOUT	E1 1

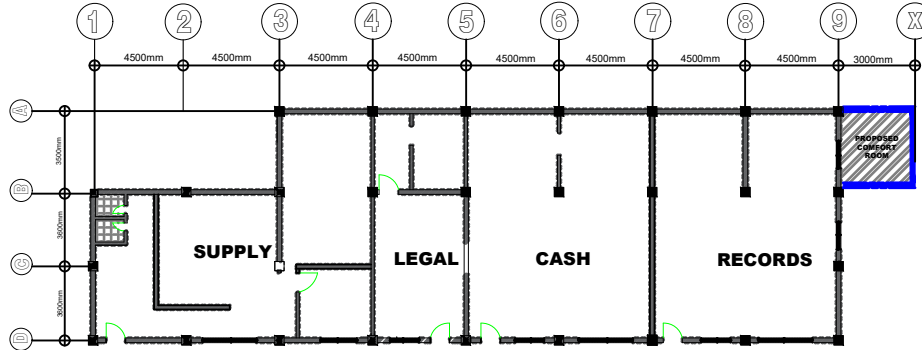


SITE

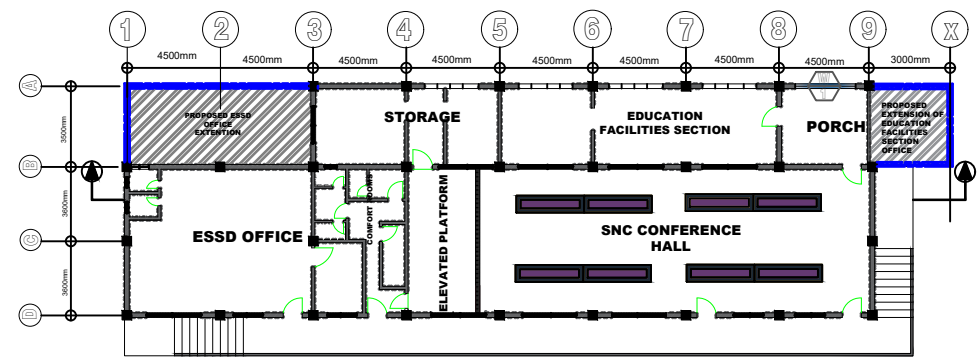


2 VICINITY PLAN
A 1 DRAWN NOT TO SCALE

REPUBLIC OF THE PHILIPPINES  DEPARTMENT OF EDUCATION EDUCATION FACILITIES SECTION WANGAL, LA TRINIDAD, BENGUET	PREPARED BY: CULLEN S. WEGIYON DRAFTSMAN	CHECKED BY: CHRISTOPHER B. HADSAN ENGINEER III	RECOMMENDING APPROVAL: AGUSTIN B. GUMUWANG, Ph.D. CHIEF, ESSD	APPROVED BY: MAY B. ECLAR, Ph.D., CESO V REGIONAL DIRECTOR	PROJECT TITLE: PROPOSED REPAIR AND EXTENSION OF STEPHEN N. CAPUYAN BUILDING	OWNER: DEPARTMENT OF EDUCATION-CAR REGIONAL OFFICE	SHEET NO.: 
						SHEET CONTENT: - VICINITY PLAN	

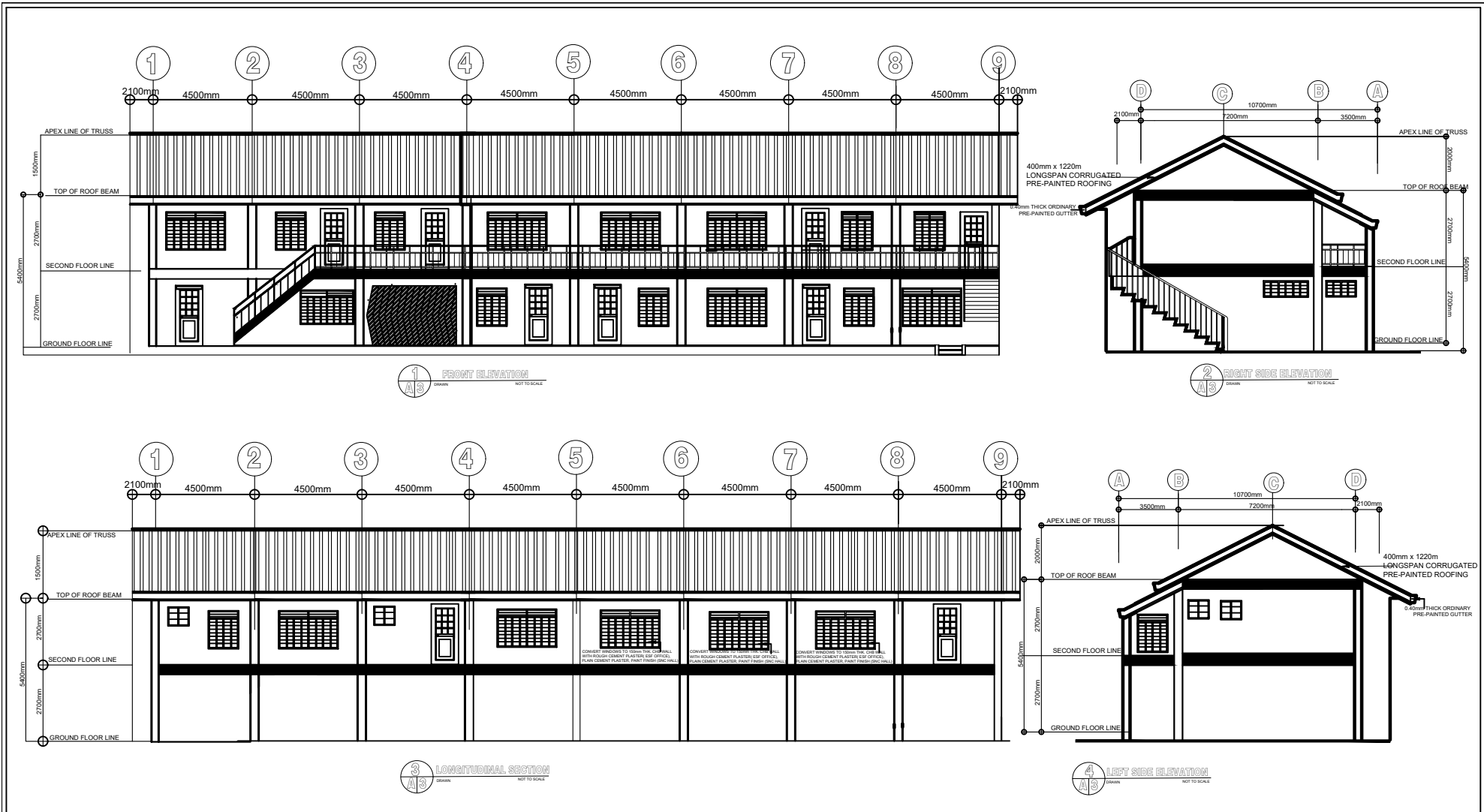


1
FIRST FLOOR PLAN
DRAWN NOT TO SCALE

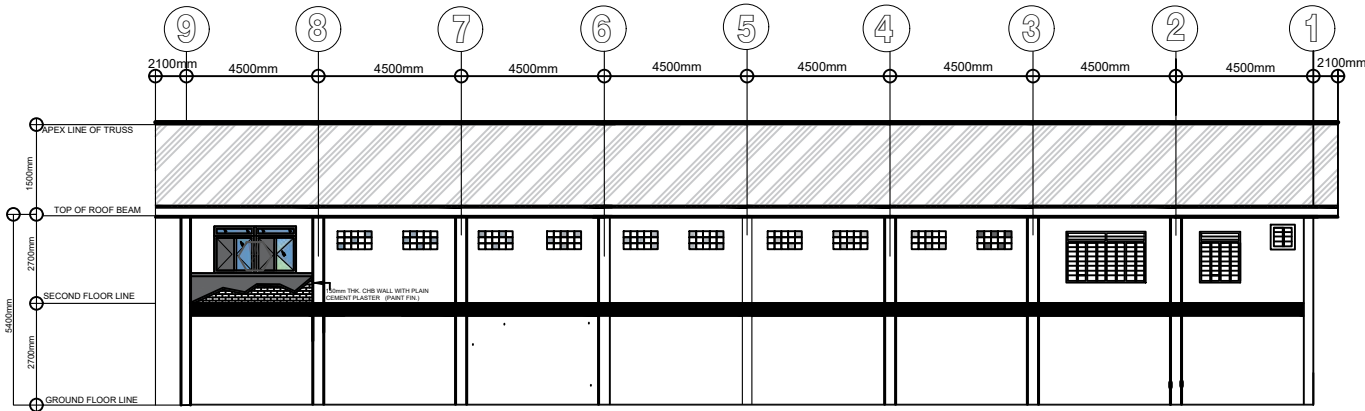


2
SECOND FLOOR PLAN
DRAWN NOT TO SCALE

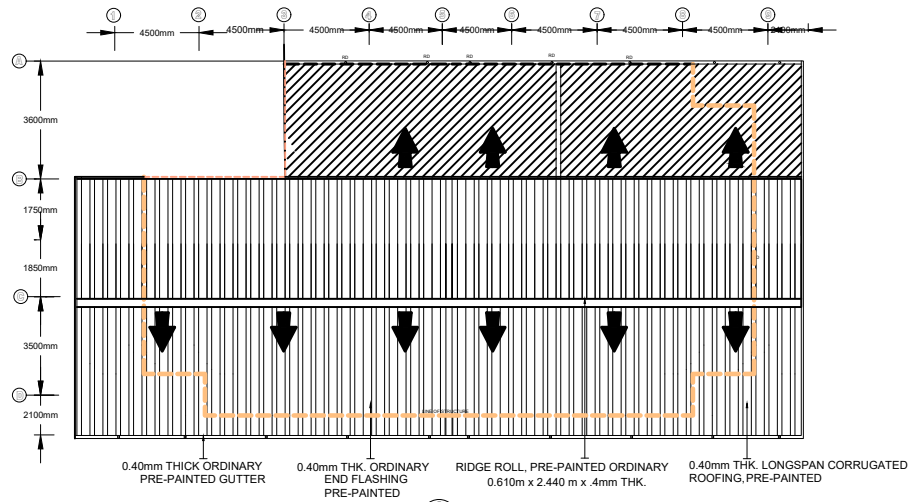
REPUBLIC OF THE PHILIPPINES DepEd DEPARTMENT OF EDUCATION EDUCATION FACILITIES SECTION WANGAL, LA TRINIDAD, BENGUET	PREPARED BY :	CHECKED BY :	RECOMMENDING APPROVAL :	APPROVED BY :	PROJECT TITLE :	OWNER :	SHEET NO. :
	KEMERY G. RIZALDO ENGINEER I	CHRISTOPHER B. HADSAN ENGINEER III	AGUSTIN B. GUMUWANG, Ph.D. CHIEF, ESSD	MAY B. ECLAR, Ph.D., CESO V REGIONAL DIRECTOR	PROPOSED REPAIR AND EXTENSION OF STEPHEN N. CAPUYAN BUILDING	DEPARTMENT OF EDUCATION- CAR REGIONAL OFFICE SHEET CONTENT : - FIRST FLOOR PLAN - SECOND FLOOR PLAN	A2 5



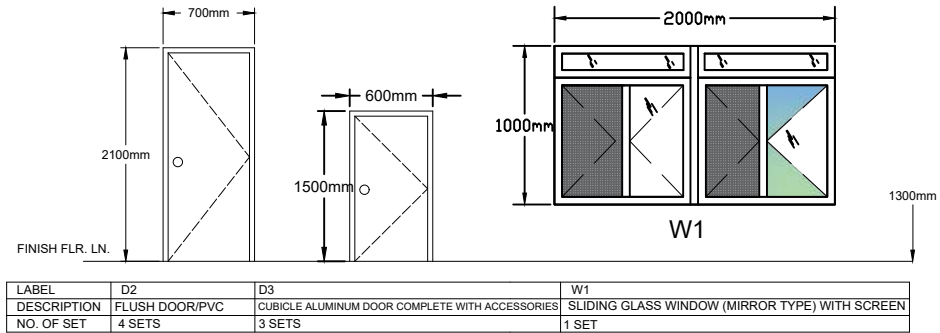
REPUBLIC OF THE PHILIPPINES DEPARTMENT OF EDUCATION EDUCATION FACILITIES SECTION WANGAL, LA TRINIDAD, BENGUET	PREPARED BY: KEMERY G. RIZALDO ENGINEER I	CHECKED BY: CHRISTOPHER B. HADSAN ENGINEER III	RECOMMENDING APPROVAL: AGUSTIN B. GUMUWANG, Ph.D. CHIEF, ESSD	APPROVED BY: MAY B. ECLAR, Ph.D., CESO V REGIONAL DIRECTOR	PROJECT TITLE: PROPOSED REPAIR AND EXTENSION OF STEPHEN N. CAPUYAN BUILDING	OWNER: DEPARTMENT OF EDUCATION-CAR REGIONAL OFFICE	SHEET NO.:
	SHEET CONTENT: - FRONT ELEVATION - RIGHT SIDE ELEVATION - LONGITUDINAL SECTION - LEFT SIDE ELEVATION						



5 REAR ELEVATION
NOT TO SCALE

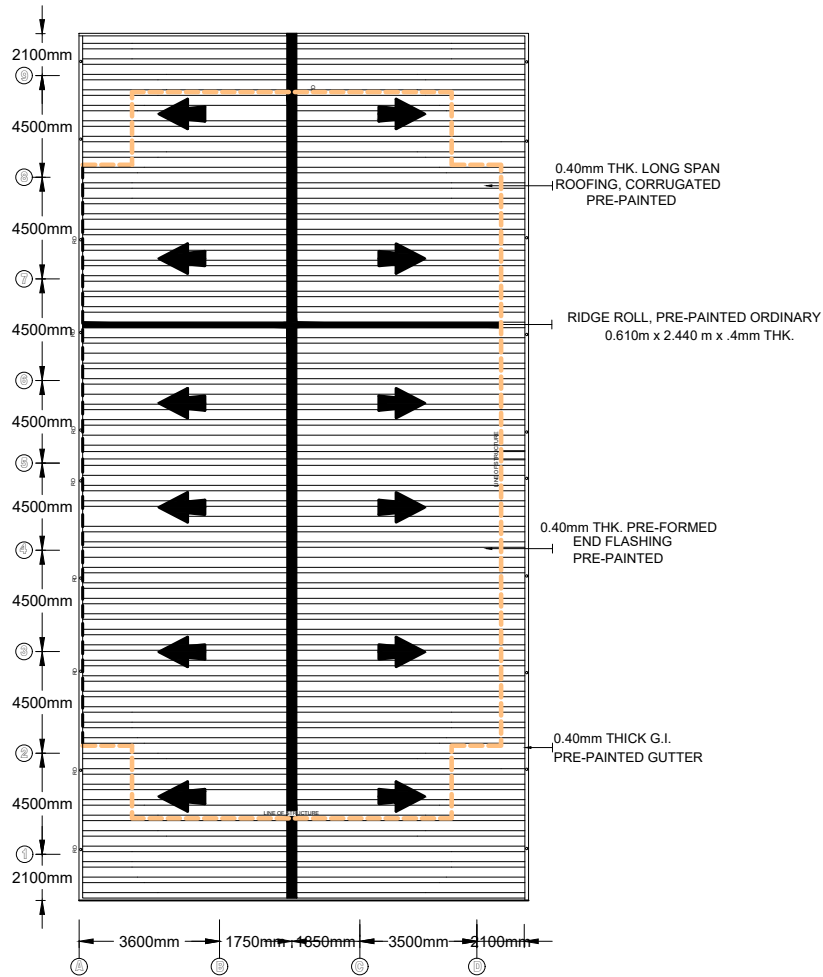


6 ROOF PLAN
NOT TO SCALE



1 DOORS AND WINDOWS SCHEDULE
DRAWN NOT TO SCALE

REPUBLIC OF THE PHILIPPINES DepEd DEPARTMENT OF EDUCATION EDUCATION FACILITIES SECTION WANGAL, LA TRINIDAD, BENGUET	PREPARED BY:	CHECKED BY:	RECOMMENDING APPROVAL:	APPROVED BY :	PROJECT TITLE:	OWNER :	SHEET NO.:
	KEMERY G. RIZALDO ENGINEER I	CHRISTOPHER B. HADSAN ENGINEER III	AGUSTIN B. GUMUWANG, Ph.D. CHIEF, ESSD	MAY B. ECLAR, Ph.D., CESO V REGIONAL DIRECTOR	PROPOSED REPAIR AND EXTENSION OF STEPHEN N. CAPUYAN BUILDING	DEPARTMENT OF EDUCATION-CAR REGIONAL OFFICE	SHEET CONTENT : - REAR ELEVATION - ROOF PLAN - DOORS AND WINDOWS SCHEDULE



1 ROOF PLAN
A5
DOWN NOT TO SCALE

REPUBLIC OF THE PHILIPPINES DepEd DEPARTMENT OF EDUCATION EDUCATION FACILITIES SECTION WANGAL, LA TRINIDAD, BENGUET	PREPARED BY :	CHECKED BY :	RECOMMENDING APPROVAL :	APPROVED BY :	PROJECT TITLE :	OWNER :	SHEET NO. :
	KEMERY G. RIZALDO ENGINEER I	CHRISTOPHER B. HADSAN ENGINEER III	AGUSTIN B. GUMUWANG, Ph.D. CHIEF, ESSD	MAY B. ECLAR, Ph.D., CESO V REGIONAL DIRECTOR	PROPOSED REPAIR AND EXTENSION OF STEPHEN N. CAPUYAN BUILDING	DEPARTMENT OF EDUCATION-CAR REGIONAL OFFICE SHEET CONTENT : - ROOF PLAN	A5 5

BID BULLETIN NO. 1

TO : All bidders
All concerned

FROM : **ATTY. SEBASTIAN G. TAYABAN**
BAC Co-Chairperson

PROJECT : Repair and Extension of the SNC Building

For the information of all concerned are the following :

1. The Approved Budget for the Contract (ABC) is amended:

FROM: TWO MILLION SEVEN HUNDRED FIFTY SIX THOUSAND EIGHT HUNDRED TWENTY NINE and 08/100 PESOS
(Php 2,756,829.08)

TO : TWO MILLION FIVE HUNDRED SEVENTY SIX THOUSAND EIGHT HUNDRED TWENTY NINE and 08/100 PESOS **(Php 2,576,829.08)**

2. Under the Bill of Quantities, **FORMWORKS:**

FROM: Qty 692.16 bd. ft

TO : Qty - 1 lot

3. Site Inspection is required. It shall be signed by the Chief Administrative Officer/Supervising Administrative Officer of the Administrative Division of the DepEd-CAR RO. This site inspection certificate is to be included in the Technical Documents (after the Sworn Statement)

Date: November 26, 2019



Republic of the Philippines
DEPARTMENT OF EDUCATION
CORDILLERA ADMINISTRATIVE REGION

Wangal, La Trinidad, Benguet, 2601
Website: www.depedcar.ph | Email: car@deped.gov.ph



BID BULLETIN NO. 2

TO : All bidders
All concerned

FROM : 
FLORANTE E. VERGARA
BAC Chairperson

PROJECT : Repair and Extension of the SNC Building

For the information of all concerned are the following :

1. DETAILED ESTIMATES REBAR WORKS:

FROM d20mn rsb TO d10mm rsb

2. DETAILED BEAM SKEDULE, BEAM REBARS:

FROM d12mm TO d16mm

Date: December 2, 2019

Contact Numbers (Area Code: 074):

Office of the Regional Director 422-1318
Fax 422-4074
Office of the ARD 422-9590
ICT Unit 422-1318
Public Affairs Unit 422-1318
Legal Unit 423-2214

Administrative Division 422-1804
Cash Section 423-2215
Payroll Section 424-3993
Records Section 423-2213
Supply Section 422-2198
General Services Unit 422-1804

CLMD 422-7096
LRMDS 422-0615
ESSD 423-2218
Finance Division 422-5155
FTAD 424-5187

HRDD 422-9590
NEAP-R 422-5500
PPRD 422-9590
QuAD 422-5187
COA 422-7434